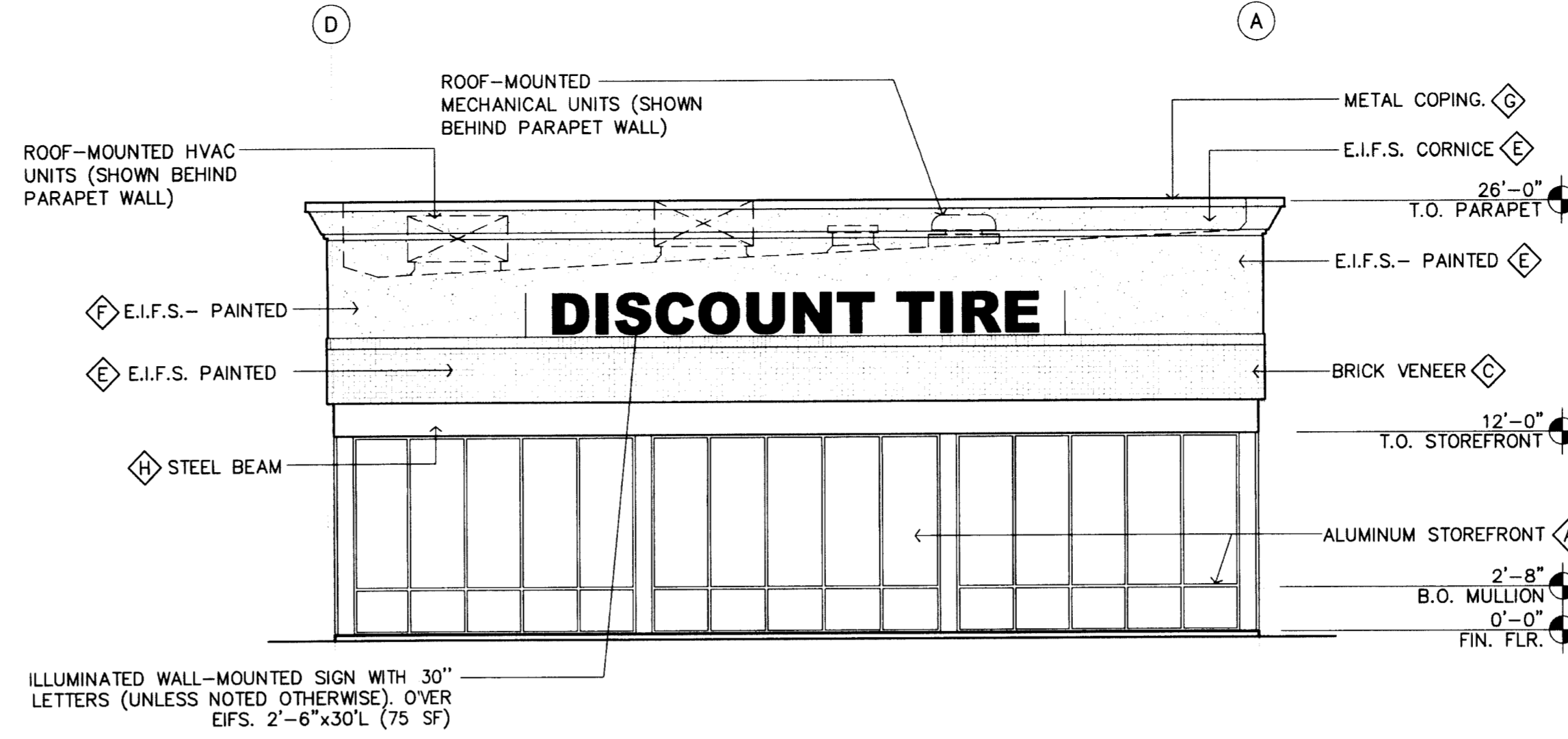


WEST ELEVATION

SCALE: 1/8" = 1'-0"

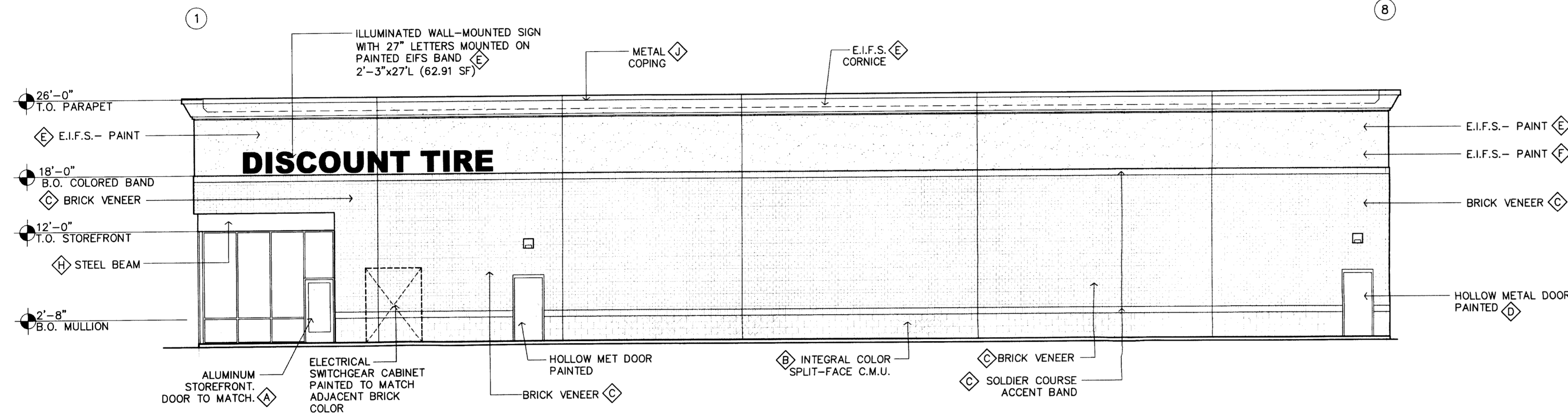


EAST ELEVATION (E. Independence Blvd)

SCALE: 1/8" = 1'-0"

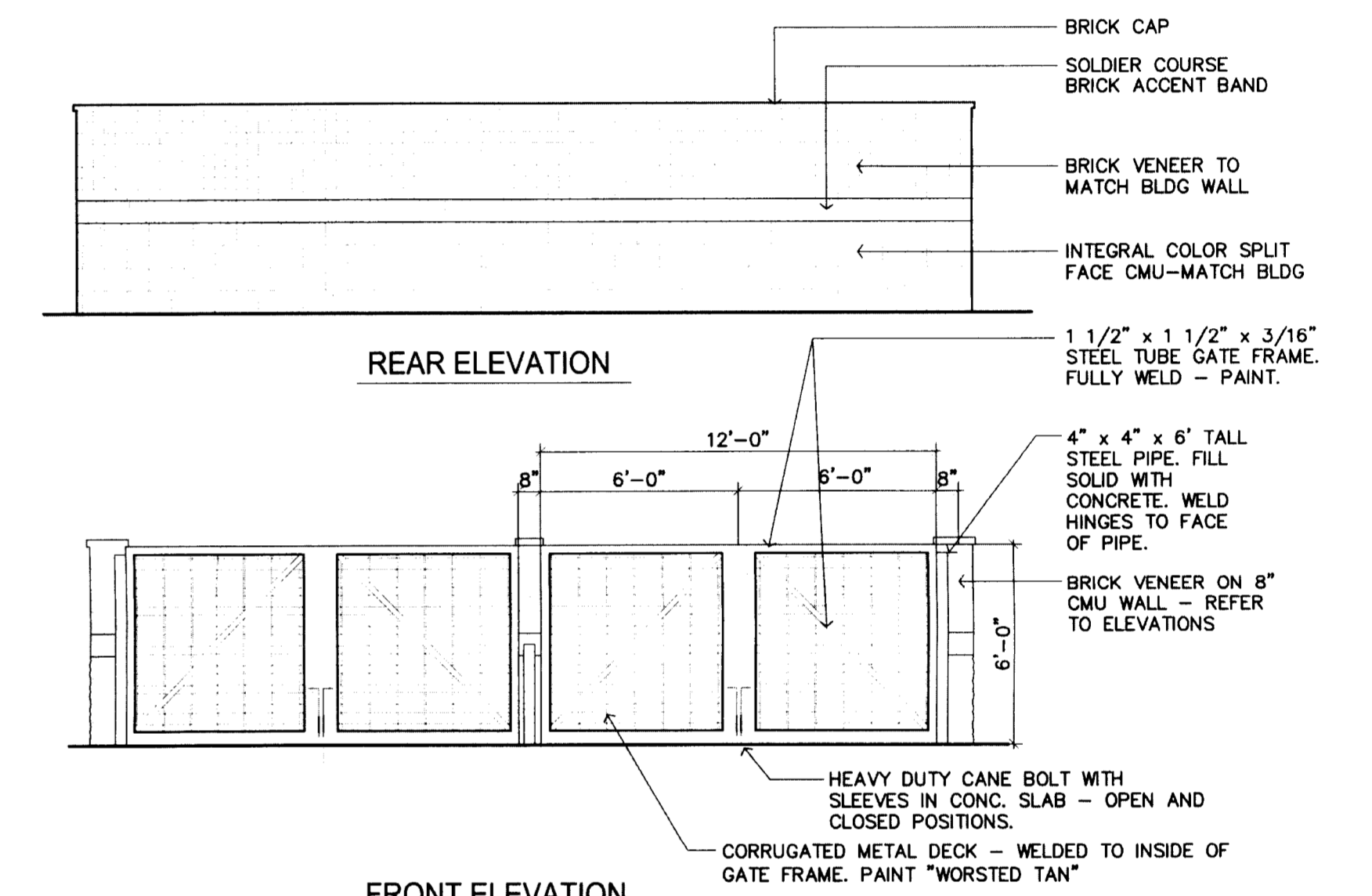
FINISH LEGEND

- ⬡ MANUFACTURER'S STANDARD COLOR TO MATCH "BANNER RED"
- ⬢ INTEGRAL COLOR C.M.U. (SPLIT-FACE), BETCO SUPREME COLOR: #4-8358, 8"x8"x16"
- ⬣ BRICK VENEER - HANSON BRICK, WIRE CUT (STANDARD) COLOR: LAFAYETTE (1562)
- ⬤ PAINT - SHERWIN WILLIAMS TO MATCH "WORSTED TAN"
- ⬥ PAINT - SHERWIN WILLIAMS, SW 6119 "ANTIQUE WHITE"
- ⬦ PAINT - SHERWIN WILLIAMS TO MATCH "BURGUNDY"
- ⬧ SPARE
- ⬨ EXPOSED STEEL - PAINTED TO MATCH "WORSTED TAN"
- ⬩ METAL COPING - FACTORY PAINTED/INTEGRAL COLOR TO MATCH PAC-CLAD "CHAMPAGNE" COLOR



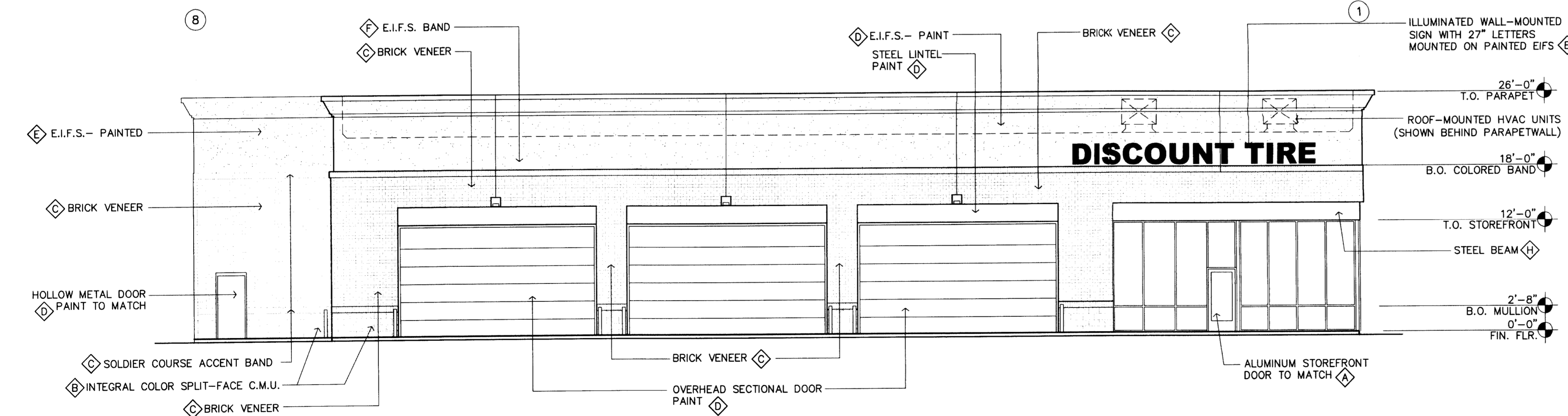
NORTH ELEVATION

SCALE: 1/8" = 1'-0"



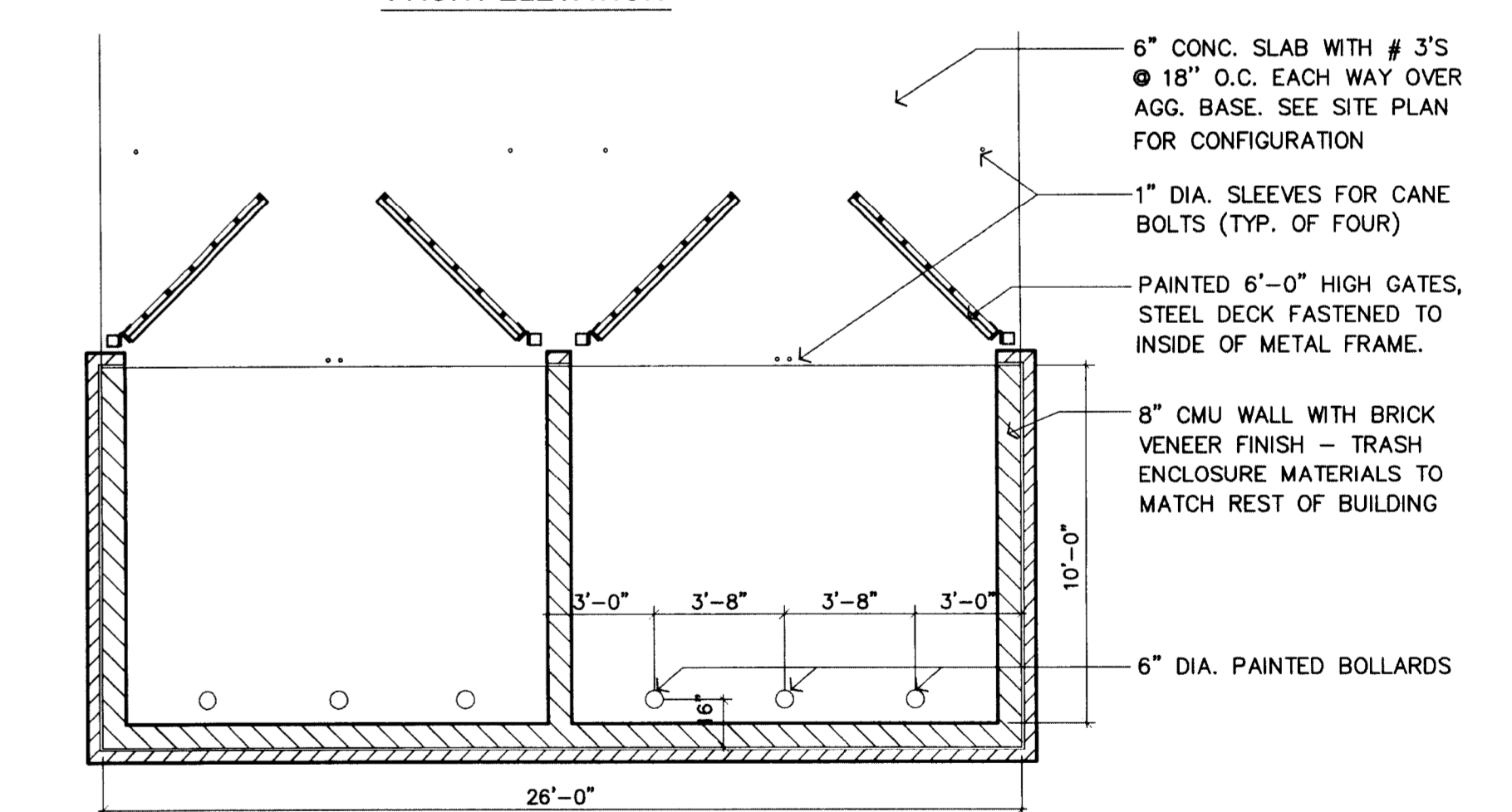
REAR ELEVATION

FRONT ELEVATION



SOUTH ELEVATION

SCALE: 1/8" = 1'-0"



TRASH ENCLOSURE PLAN / ELEVATIONS

NOT TO SCALE

DATE: 10-16-2012

BY: DEBRA D. CAMPBELL



THIS PLAN IS PROPERTY OF PEI / ARCHITECTURE & ENGINEERING. THIS DRAWING IS LOANED WITHOUT OTHER CONSIDERATION THAN THE AGREEMENT AND CONDITION THAT IT IS NOT TO BE REPRODUCED, COPIED OR OTHERWISE DISPOSED OF, DIRECTLY OR INDIRECTLY, AND IS NOT TO BE USED IN WHOLE OR IN PART TO ASSIST IN MAKING OR TO FURNISH ANY INFORMATION FOR THE MAKING OF DRAWINGS, PRINTS, APPARATUS OR PARTS THEREOF. THE ACCEPTANCE OF THIS DRAWING WILL BE CONSTRUED AS AN ACCEPTANCE OF THE FOREGOING CONDITIONS.

CONCEPTUAL ELEVATIONS

**2522 SARDIS RD. NORTH
CHARLOTTE, NC 28227**

JOB # A120308

Date: 9.12.12

PEI
ARCHITECTURE & ENGINEERING
914 E. KATELLA AVENUE
ANAHEIM, CALIFORNIA 92805
P (714) 385-1835 F (714) 385-1834
www.pei.ca.com

Sheet No.

A.2