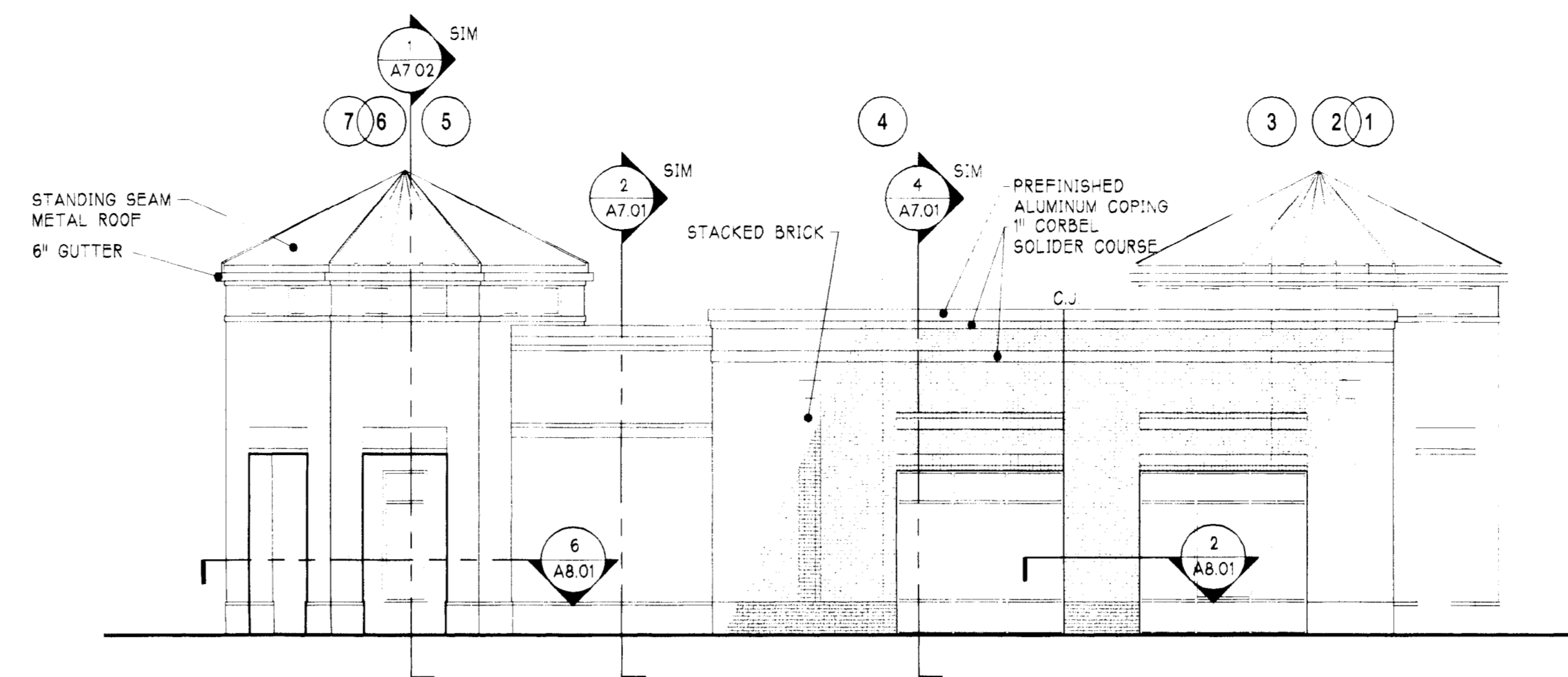
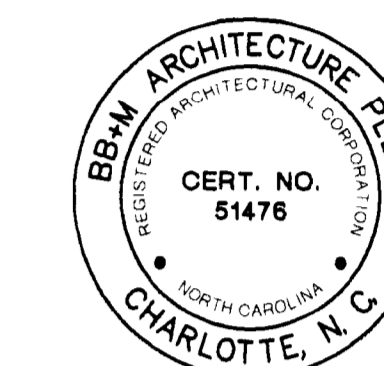
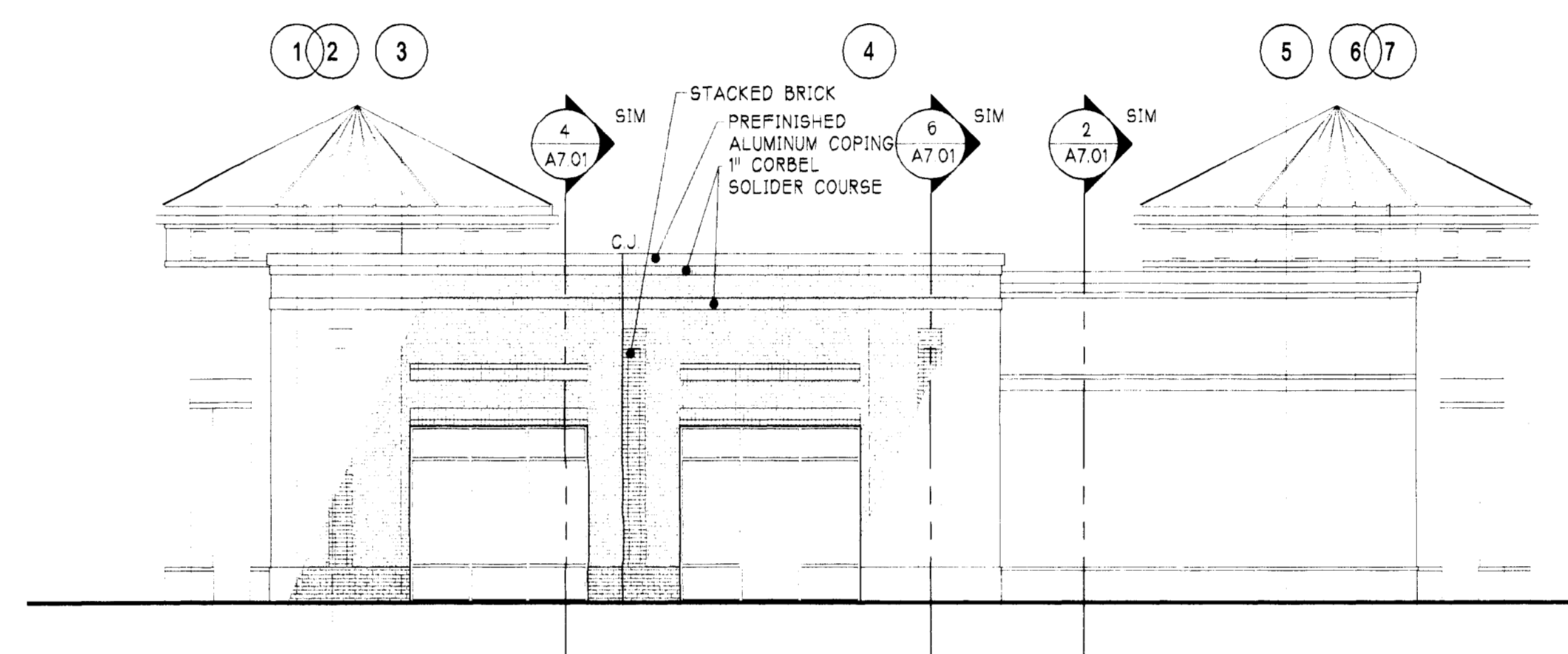


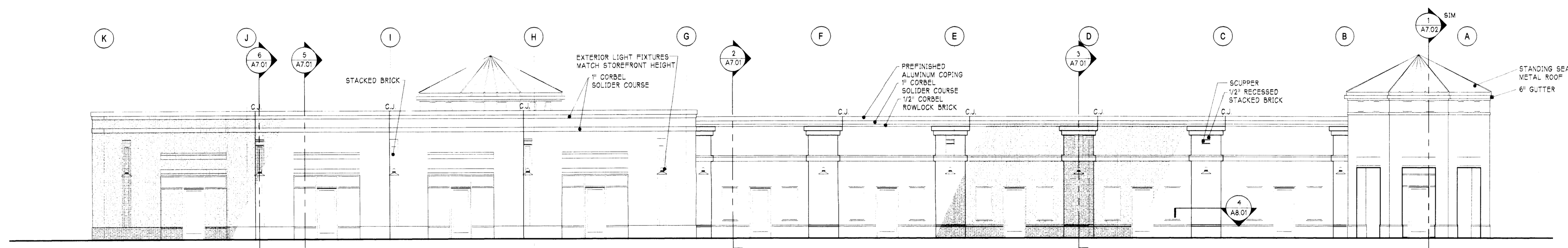
beachbunco+manley
 architects pllc
 atherton lofts
 [suite 109]
 2108 south boulevard
 charlotte, north carolina
 28203
 vc 704|334|1716
 fx 704|334|6571



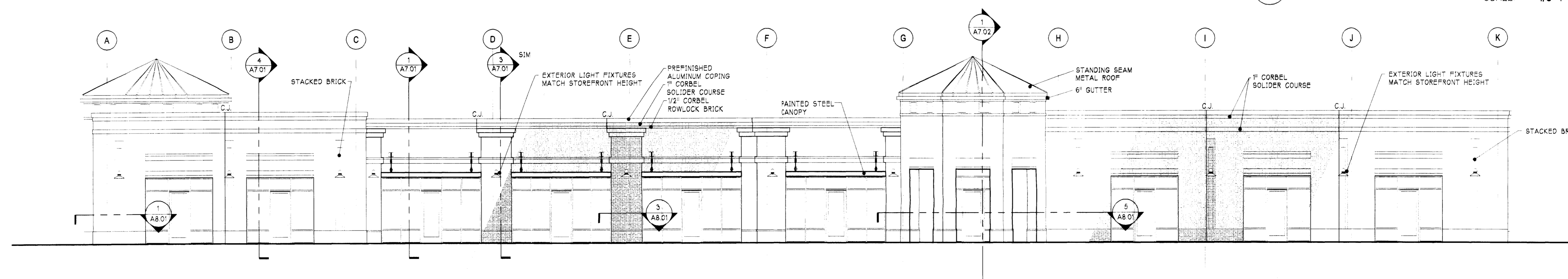
4 LEFT SIDE ELEVATION BUILDING 3
 SCALE 1/8"=1'-0"



3 RIGHT SIDE ELEVATION BUILDING 3
 SCALE 1/8"=1'-0"



2 REAR ELEVATION BUILDING 3
 SCALE 1/8"=1'-0"



1 FRONT ELEVATION BUILDING 3
 SCALE 1/8"=1'-0"

Arrowood Retail Building 3

Charlotte, North Carolina

PROJECT | 06MFP260
 DATE | 03.09.2007
 DRAWN | ESD, EDC, & DLS
 PATH |

copyright © BB+M ARCHITECTURE, PLLC 2007

REVISIONS

NUMBER	DATE	COMMENT

ELEVATIONS BUILDING 3

ATTACHED TO ADMINISTRATIVE APPROVAL

DATED: June 5, 2007

BY: DEBKA D. CAMPBELL

A4.01