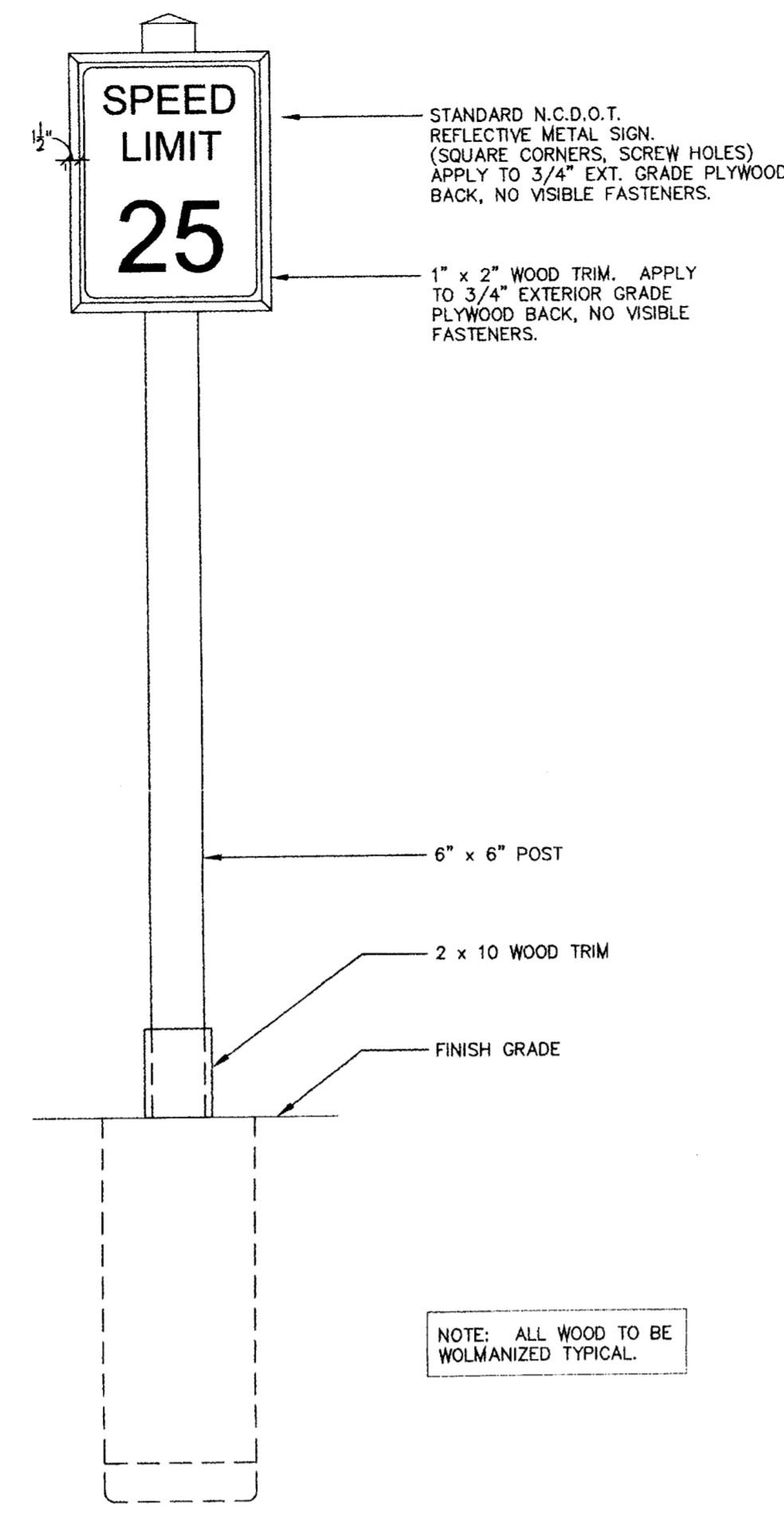
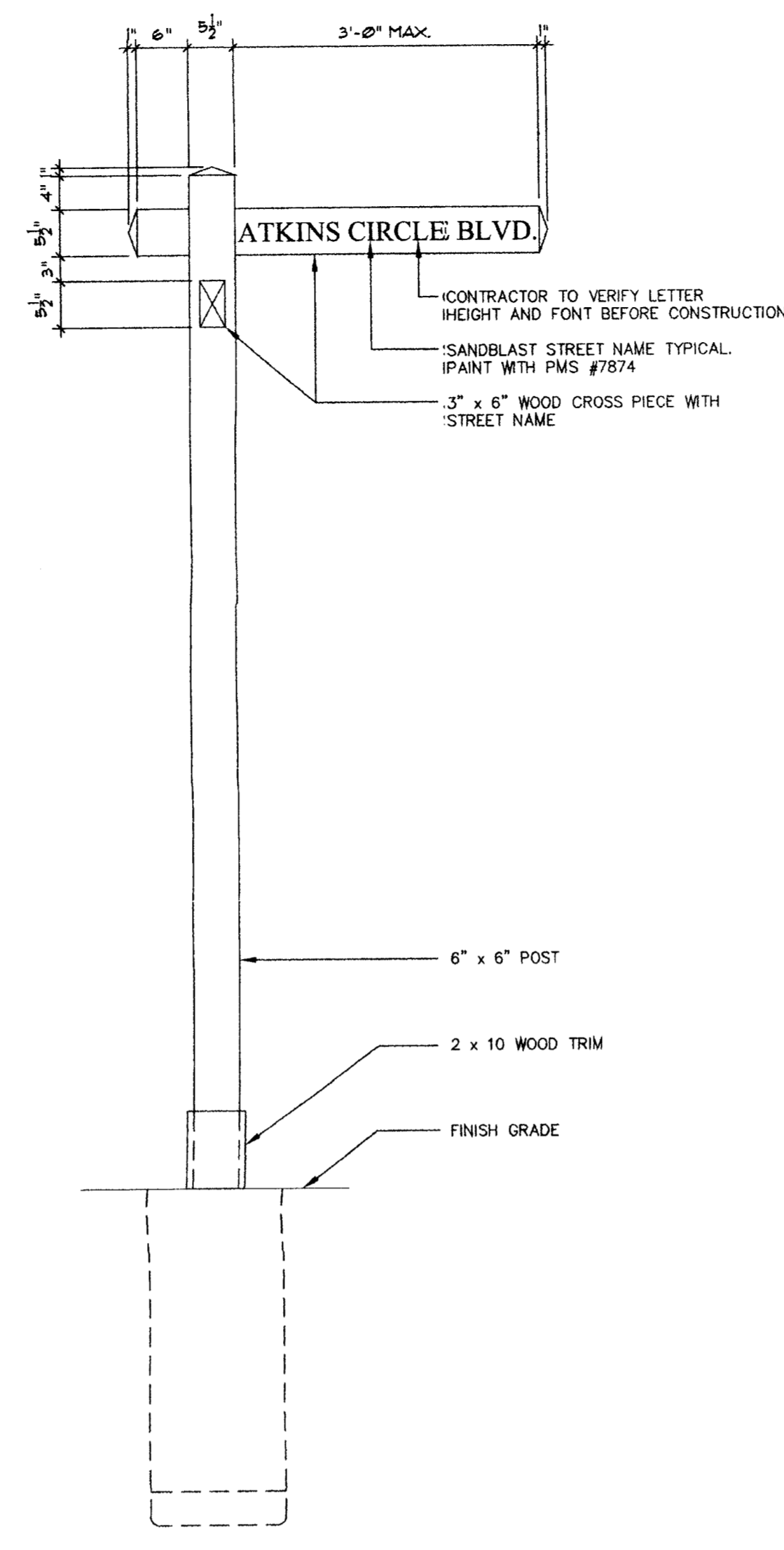


STOP SIGN



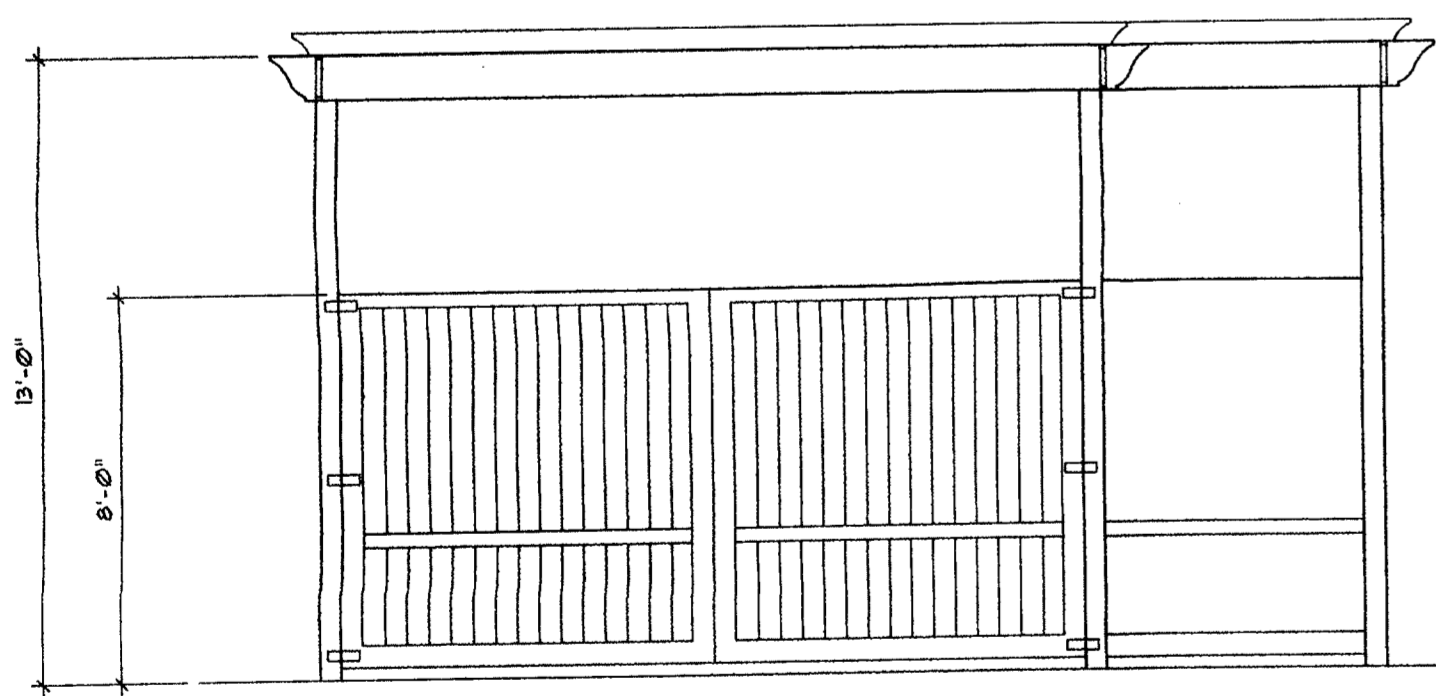
SPEED LIMIT SIGN



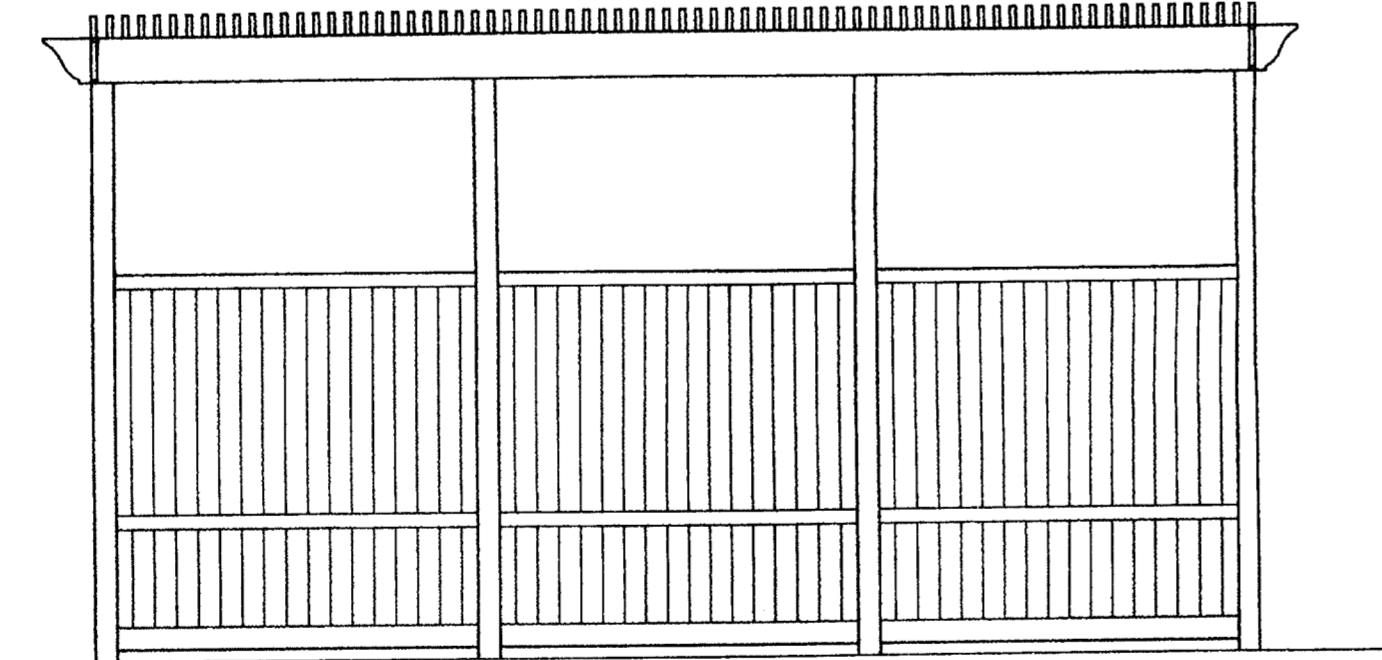
STREET SIGN

NOTE: ALL WOOD TO BE WOLMANIZED TYPICAL.

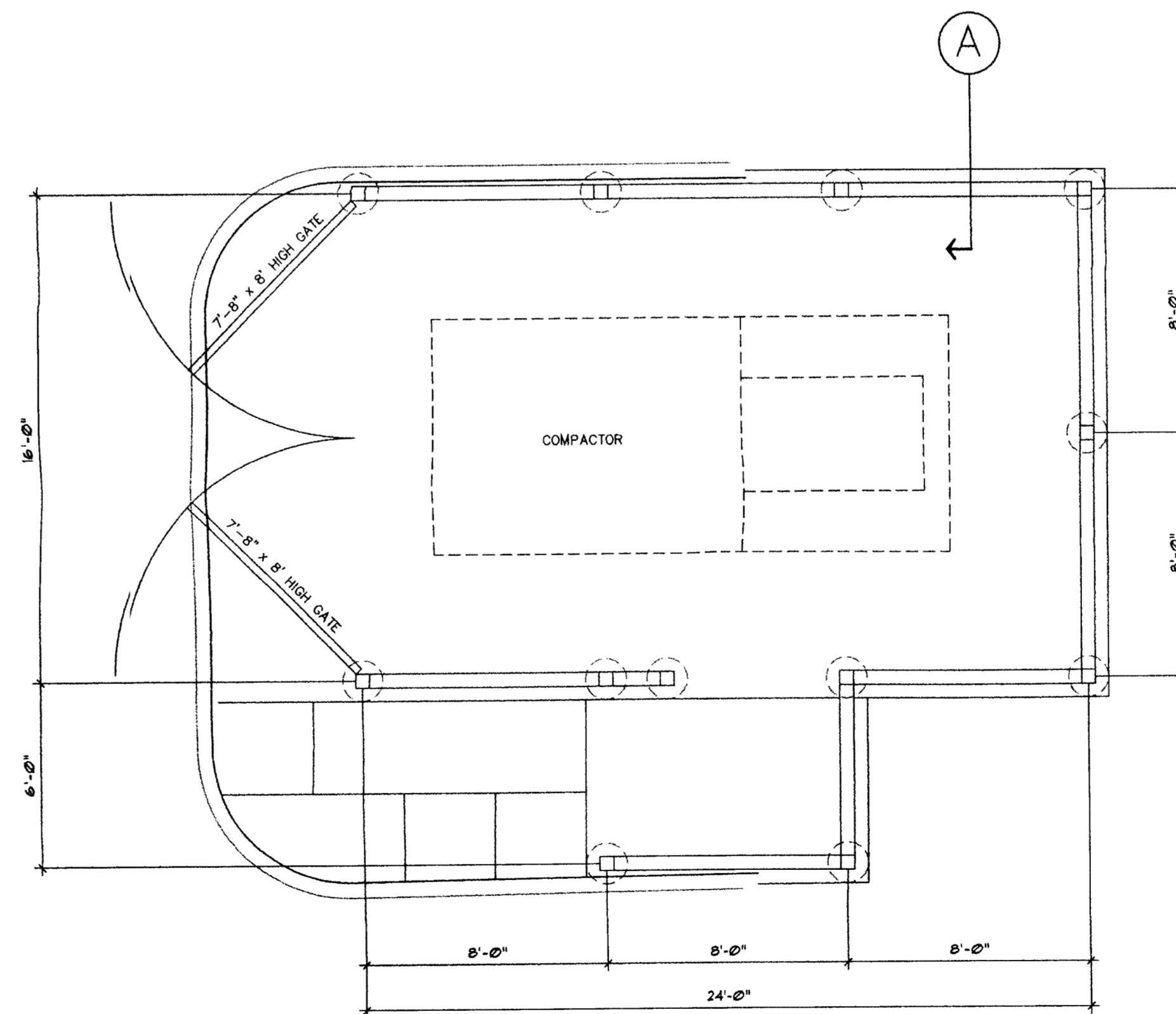
1 SIGNAGE DETAIL
3/4" = 1'-0"



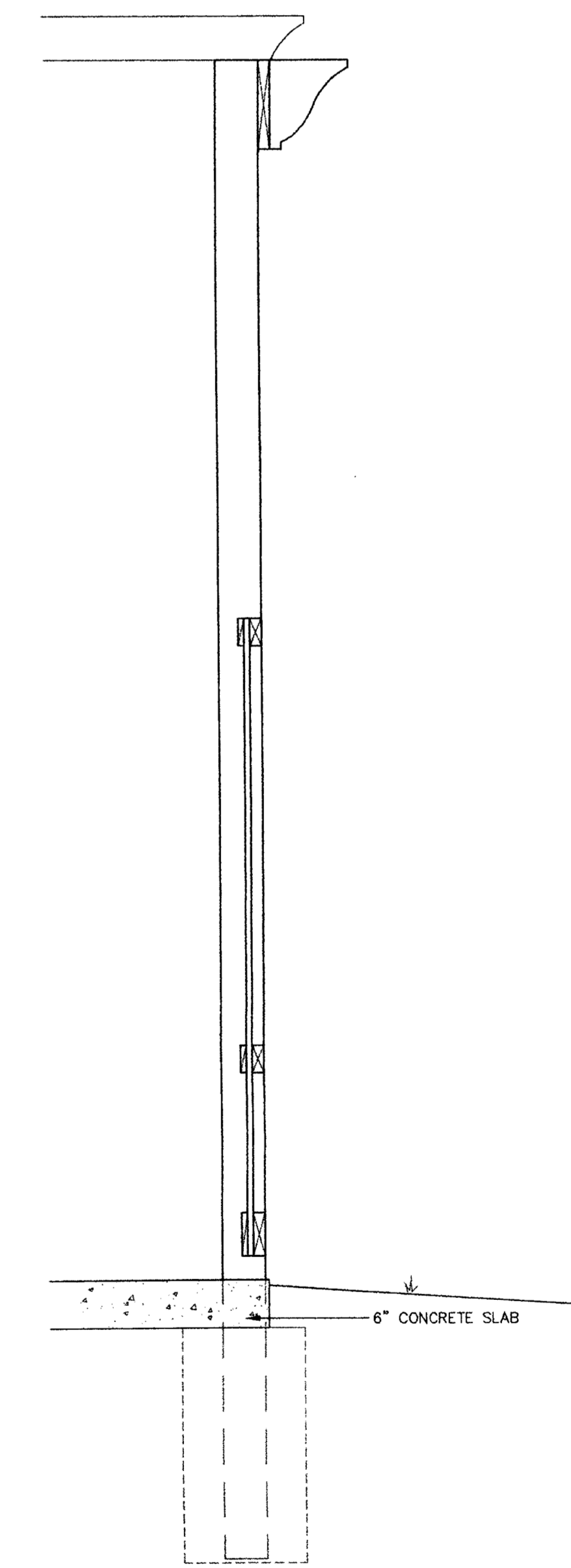
FRONT ELEVATION



SIDE ELEVATION



PLANVIEW



SECTION VIEW A (3/4"=1'-0")

2 DUMPSTER DETAIL
1/4" = 1'-0"

NO.	DATE	DESCRIPTION

200 S COLLEGE ST
CHARLOTTE, NC 28202
T 704.334.7925
F 704.334.7926
www.stewarteng.com

STEWART

Engineering

STREETS OF TORINGDON
CONDITIONAL REZONING SITE PLAN
AMENDMENT REQUEST
PETITIONER: NRI COMMUNITIES CHARLOTTE, LLC

CONCEPTUAL SIGN AND DUMPSTER DETAILS	
DATE:	05-11-2007
SCALE:	
JOB NO.	X7019.00
SHEET:	RZ-3