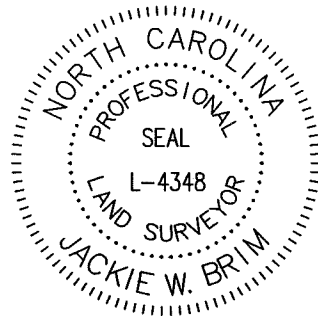


I, JACKIE W. BRIM, CERTIFY THAT THIS PLAT WAS PREPARED UNDER MY SUPERVISION AND THAT THE PLAT WAS PREPARED FOR THE PURPOSE OF ACQUISITION AND EASEMENTS ONLY, AND IS NOT INTENDED TO BE A BOUNDARY SURVEY OF PROPERTY SHOWN.

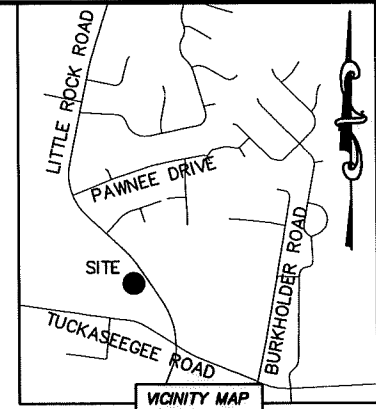
Jackie W. Brim 11-3-2016

JACKIE W. BRIM, NC P.L.S. L-4348 DATE



LINE TABLE		
LINE	LENGTH	BEARING
L1	98.64'	S 33°48'47" E
L2	98.41'	S 33°46'19" E
L3	20.02'	S 33°46'19" E
L4	33.30'	S 75°07'11" E
L5	40.45'	S 42°18'10" E
L6	14.25'	S 14°50'50" E

- NOTE:
- 1) BEARINGS AND DISTANCE SHOWN IN PARENTHESIS ARE BASED ON RECORDED INFORMATION.
 - 2) COMPUTED PROJECT DISTANCE - *
 - 3) TOTAL AREA 27,768 SQ.FT.
 - 4) TEMP. CONSTRUCTION EASEMENT 3,050 SQ.FT.
 - 5) SIDEWALK/UTILITY EASEMENT 245 SQ.FT.
 - 6) FEE SIMPLE INSIDE R/W BY MAINTENANCE 1,707 SQ.FT.
 - 7) TOTAL AREA REMAINING 26,061 SQ.FT.



MAG. NAIL
NC GRID NAD 83 (2011)
N: 553,778.78 FEET
E: 1,420,651.51 FEET
CGF: 0.9998415

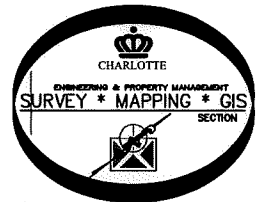
⑩
05534116
PON EY TIEU AND
WIFE SOPHY C. TIEU
DB 14847/PG 422
2208 LITTLE ROCK ROAD

(N 63°11'00" E 333.60')
N 61°55'07" E 333.60' (TOTAL)
253.28'

⑧
05534115
CURTIS FLUITT
DB 20937/PG 695
2216 LITTLE ROCK ROAD

05534106
TRUSTEES OF COVENANT
UNITED METHODIST CHURCH
DB 4731/PG 843
3540 AND 6824
TUCKASSEEGEE ROAD

#4 REBAR FOUND
N: 550,766.11 FEET
E: 1,421,033.94 FEET



PREPARED BY:
CITY OF CHARLOTTE
ENGINEERING & PROPERTY MANAGEMENT DEPARTMENT
600 EAST FOURTH STREET
CHARLOTTE, NC 28202
704-336-2291

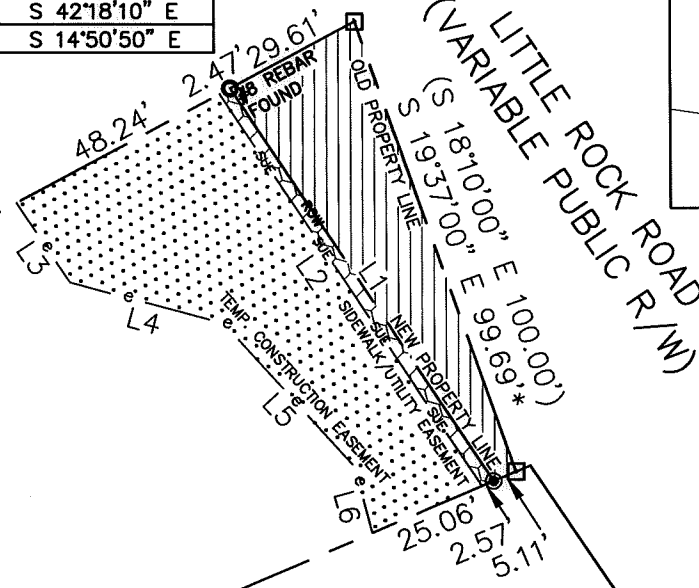
⑦
05534109
KENNETH H. SMITH
DB 28595/PG 86
6812 TUCKASSEEGEE ROAD

05534114
LORI ELIZABETH FOSTER AND
LISA RENEE FRISBEE
DB 30579/PG 638
2226 LITTLE ROCK ROAD

STATE OF NORTH CAROLINA
COUNTY OF MECKLENBURG

I, _____ REVIEW OFFICER
OF MECKLENBURG COUNTY, CERTIFY THAT THE
MAP OR PLAT TO WHICH THIS CERTIFICATION
IS AFFIXED MEETS ALL STATUTORY
REQUIREMENTS FOR RECORDING.

REVIEW OFFICER _____ DATE _____



LEGEND

- REBAR OR IRON PIN FOUND
- #5 REBAR SET OR PK NAIL
- COMPUTED POINT
- PROPERTY LINES
- EXISTING RIGHT-OF-WAY
- R/W BY MAINTENANCE
- FEE SIMPLE INSIDE R/W BY MAINTENANCE
- TEMP. CONSTRUCTION EASEMENT
- SIDEWALK/UTILITY EASEMENT

CHARLOTTE ENGINEERING & PROPERTY MANAGEMENT DEPARTMENT		
REVISIONS	LITTLE ROCK ROAD SIDEWALK PROJECT	JOB NO. PM51215018
		FILE NO. 055-341-15
SCALE 1" = 40' 	PROPERTY OF CURTIS FLUITT CHARLOTTE, MECKLENBURG CO., NC	SHEET 1
DRAWN BY LG		OF 1
DATE	CHECKED BY JWB SURVEY SUPVR.	
K: \AutoCad\En_su-LD4\215018\dwg\LITTLEROCKROADSIDEWALKPLAST.DWG		

DB 31822-515