

I, JACKIE W. BRIM, CERTIFY THAT THIS PLAT WAS PREPARED UNDER MY SUPERVISION AND THAT THE PLAT WAS PREPARED FOR THE PURPOSE OF EASEMENTS ONLY, AND IS NOT INTENDED TO BE A BOUNDARY SURVEY OF PROPERTY SHOWN.

Jackie W. Brim 10-4-2016
 JACKIE W. BRIM, NC P.L.S. L-4348 DATE

NC GRID NAD 83 (2011)

5
 055-475-02
 ANITA MICHELLE STITT
 DB 22012-914
 8406 STONEFACE RD.

6
 055-475-03
 ANNA G. WILLIAMS
 DB 7634-958
 8400 STONEFACE RD.

3
 055-401-05
 TIMOTHY A. THOMAS
 TIA DAWN THOMAS
 DB 16705-729
 6225 EAGLE PEAK DR.

#5 REBAR
 NC GRID NAD 83 (2011)
 NC GRID COORDINATES
 N 557609.17'
 E 1419104.50'

4
 055-401-04
 JOHNNY SHERMAN
 GLORY ANN SHERMAN
 DB 17177-332
 6219 EAGLE PEAK DR.

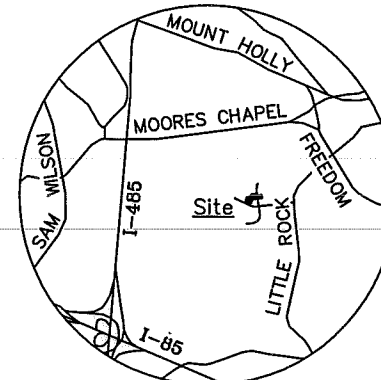
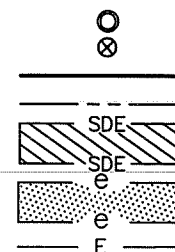
055-401-10
 ANNA G. WILLIAMS
 DB 16894-841
 7000 DAVID AVE.

055-401-03
 VICTORIA ATHANAS
 MAY KIN KUNG
 DB 25598-270
 6213 EAGLE PEAK DR.

MAG NAIL
 NC GRID NAD 83 (2011)
 NC GRID COORDINATES
 N 557924.98'
 E 1419069.37'
 CGF: 0.9998441

LEGEND

- REBAR OR PIPE FOUND
- CITY CONTROL POINT
- LINES SURVEYED
- LINES NOT SURVEYED
- STORM DRAINAGE EASEMENT (SDE)
- TEMPORARY CONSTRUCTION EASEMENT (TCE)
- EXISTING EASEMENT FOR DRAINAGE & UTILITIES



VICINITY MAP
 Not to Scale

State of North Carolina
 County of Mecklenburg

I, _____, Review Officer of Mecklenburg County, certify that the map or plat to which this certification is affixed meets all statutory requirements for recording.

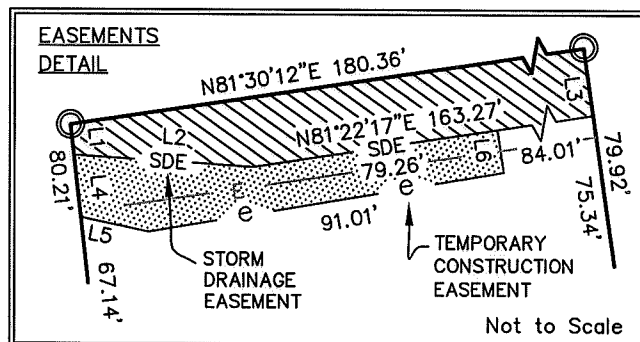
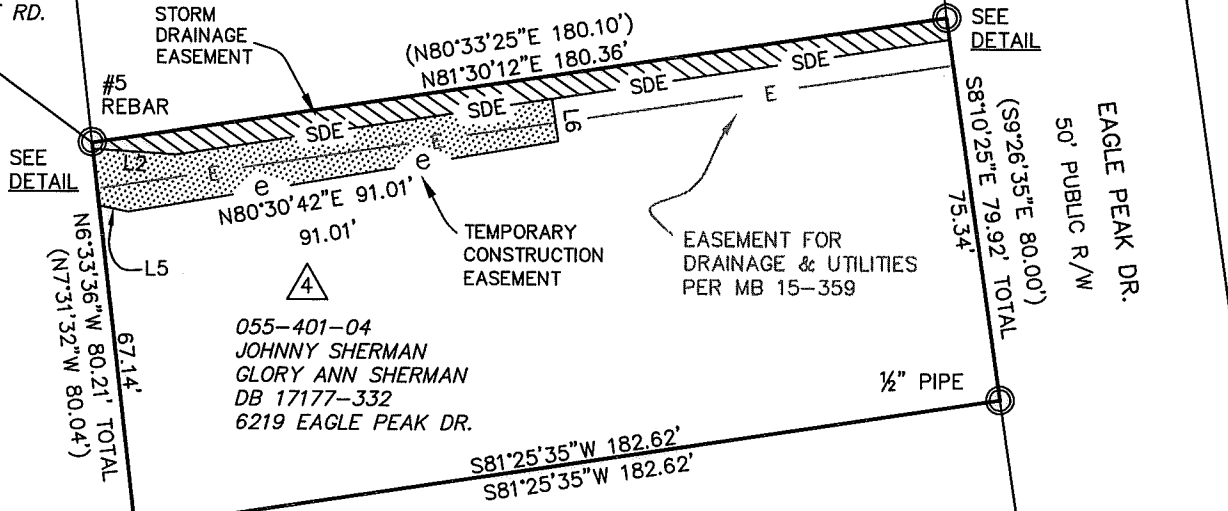
Review Officer _____ Date _____

NOTES:

- 1) BEARINGS AND DISTANCES SHOWN IN PARENTHESES ARE BASED ON RECORDED INFORMATION, MB 15-359
- 2) TOTAL AREA 14,526 SQ.FT.
- 3) EXISTING SDE TO BE ACCEPTED AS SDE 832 SQ.FT.
- 4) TCE 956 SQ.FT.
- 5) AREA REMAINING 14,526 SQ.FT.

LINE	BEARING	DIST.
1	S6°33'36"E	1.27'
2	N86°21'32"W	17.54'
3	S81°10'25"E	4.58'
4	S6°33'36"E	11.80'
5	S77°57'53"E	6.22'
6	N8°37'43"W	8.89'

PREPARED BY:
 CITY OF CHARLOTTE
 ENGINEERING & PROPERTY MANAGEMENT DEPT.
 600 EAST FOURTH STREET
 CHARLOTTE, NC 28208
 704-336-2291



CHARLOTTE
 ENGINEERING & PROPERTY MANAGEMENT DEPARTMENT

REVISIONS	PROJECT: 6228 EAGLE PEAK DR. STORM WATER MAINTENANCE IMPROVEMENT PROJECT	JOB NO. SWDES00555
		FILE NO.
	OWNERS: JOHNNY SHERMAN, GLORY ANN SHERMAN, 6219 EAGLE PEAK DR. CHARLOTTE, MECKLENBURG CO., NC	SHEET 1 OF 1
DRAWN BY: JPG	CHECKED BY: GAI SURVEY SUPVR.	

P:\acadproj\Surproj\SWATER\MAINT\EAGLE PEAK DR\6228\PLATS\6228 Eagle Peak Dr PARCEL 4.dwg

DB 31404-255