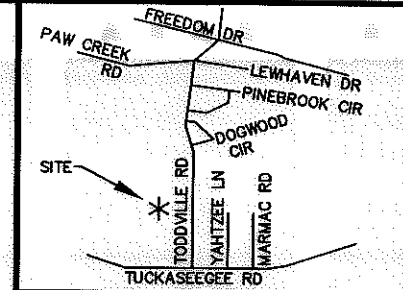


I, _____ REVIEW OFFICER OF MECKLENBURG COUNTY, CERTIFY THAT THE MAP OR PLAT TO WHICH THIS CERTIFICATION IS AFFIXED MEETS ALL STATUTORY REQUIREMENTS OF NORTH CAROLINA GENERAL STATUTES FOR RECORDING.

REVIEW OFFICER _____ DATE _____

LINE	LENGTH	BEARING
L1	10.47	S87°12'41"W
L2	32.12	S87°12'41"W
L3	46.09	N01°24'17"E
L4	25.60	N70°42'17"E
L5	34.81	N04°08'47"W
L6	6.69	N63°05'06"W
L7	8.56	N00°22'04"E
L8	17.05	N87°11'30"E
L9	6.30	N87°11'30"E

CURVE	LENGTH	RADIUS	CHORD BRG	CHORD DIST
C1	100.13	4964.00	N01°01'48"E	100.13



VICINITY MAP NOT TO SCALE

LEGEND

TCE = TEMPORARY CONSTRUCTION EASEMENT

SUE = PERMANENT SIDEWALK AND UTILITY EASEMENT

= TCE

= SUE

= TCE

= EXISTING R/W

= SUE

= IRON PIN FOUND

TAX # 05911337
RHONDA S. BENFIELD
DB 13514, PG 57
TRACT 1
2518 TODDVILLE ROAD

TAX # 05911337
RHONDA S. BENFIELD
DB 13514, PG 57
TRACT 2
2518 TODDVILLE ROAD

TAX # 05911336
RANDALL ELKINS AND WIFE
TINA ELKINS
DB 19722, PG 784
2522 TODDVILLE ROAD

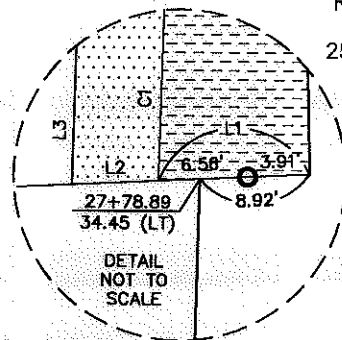
TAX # 05911335
RHONDA S. BENFIELD
DB 13514, PG 61
2534 TODDVILLE ROAD

TAX # 05911352
JOSHUA A. BENFIELD
LOT 2, MB 30, PG 181
DB 19363, PG 50
TODDVILLE ROAD

TAX # 05908118
BONNIE B. LATHAN AND
KIMBERLY M. LATHAN
DB 5689, PG 360
2517 TODDVILLE ROAD

TAX # 05908119
VICKIE MILES
DB 13450, PG 205
2525 TODDVILLE ROAD

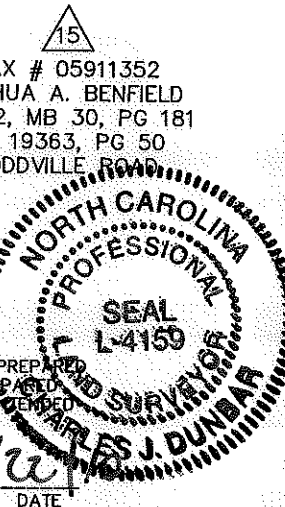
NC GRID NAD 83/2007



DETAIL NOT TO SCALE

I, CHARLES J. DUNBAR, CERTIFY THAT THIS PLAT WAS PREPARED UNDER MY SUPERVISION AND THAT THIS PLAT WAS PREPARED FOR THE PURPOSE OF EASEMENTS ONLY, AND IS NOT INTENDED TO BE A BOUNDARY SURVEY OF PROPERTY SHOWN.

CHARLES J. DUNBAR NC PLS L-4159



ACQUISITION BY DB 26481 PG 450

100004583v01_PARCEL 16

PBS Plans Prepared By:
5200 77 CENTER DRIVE, SUITE 500
CHARLOTTE, NORTH CAROLINA 28217
(704) 522-7275 NCCOA: F-0326

REVISIONS		TODDVILLE ROAD SIDEWALK	JOB NO. 512-08-024
0' SCALE 1" = 40'		PROPERTY ACQUISITION OWNER: RANDALL ELKINS AND WIFE TINA ELKINS CHARLOTTE, MECKLENBURG CO., NC	FILE NO. PARCEL 16
DRAWN BY: TTB		DATE: 06/22/2010	CHECKED BY: CJD
DATE: 06/22/2010		CHECKED BY: CJD	SURVEY SUPVR.: CJD
			SHEET 1 OF 1