

I, JAMES E. DAVIS, CERTIFY THAT THIS PLAT WAS PREPARED UNDER MY SUPERVISION AND THAT THE PLAT WAS PREPARED FOR THE PURPOSE OF ACQUISITION AND EASEMENTS ONLY, AND IS NOT INTENDED TO BE A BOUNDARY SURVEY OF PROPERTY SHOWN.

*[Signature]*

JAMES E. DAVIS, NC P.L.S. L-3747 DATE

State of North Carolina  
County of Mecklenburg

I, \_\_\_\_\_, Review Officer of Mecklenburg County, certify that the map or plat to which this certification is affixed meets all statutory requirements for recording.

Review Officer \_\_\_\_\_

Date \_\_\_\_\_

**NOTE:**

- HORIZONTAL DATUM FOR PROJECT IS NC GRID NAD83(2011) AND VERTICAL DATUM IS NAVD88 FROM GPS OBSERVATIONS COMPLETED ON APRIL 04, 2017 UTILIZING THE NC VRS NETWORK. NCGS POINT "NC77" WAS UTILIZED AS THE NETWORK BASE AND NGS GEOID 12B WAS THE GEOID MODEL. THE LOCALIZATION POINT FOR THE PROJECT WAS MERRICK #205 HAVING NC GRID COORDINATES OF N=549229.675 FEET, E=1443216.005 FEET, ELEVATION=695.98 FEET AND A COMBINED FACTOR OF 0.999844756. ALL DISTANCES SHOWN ARE HORIZONTAL GROUND DISTANCES.
- AREAS DETERMINED BY COORDINATE COMPUTATIONS.
- TRAVERSE ADJUSTED BY LEAST SQUARE ADJUSTMENT METHOD.
- 

**Parcel Line Table**

Line #	Length	Direction
L1	53.00	N82° 05' 41"E
L2	138.71	S7° 46' 24"E
L3	11.35	S7° 46' 24"E
L4	52.65	S82° 09' 46"W
L5	9.23	N7° 54' 19"W
L6	140.77	N7° 54' 19"W
L7	0.76	N55° 23' 05"E
L8	10.96	N81° 55' 15"E
L9	8.00	N8° 06' 39"W
L10	19.42	N81° 50' 00"E
L11	9.00	S8° 13' 21"E
L12	21.75	N75° 13' 26"E
L13	52.63	N81° 56' 50"E

**LEGEND**

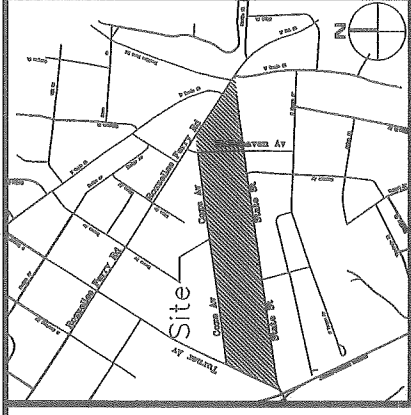
- COMPUTED POINT
- IRON PIN FOUND
- PROPERTY LINE
- TEMP CONSTRUCTION EASEMENT

- AREAS:**
- TOTAL AREA 7,926 SQ. FT.
  - TEMP. CONSTRUCTION EASEMENT 673 SQ. FT.
  - AREA REMAINING 7,926 SQ. FT.

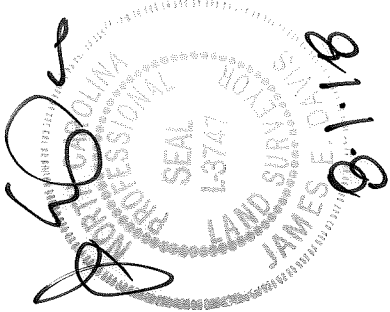
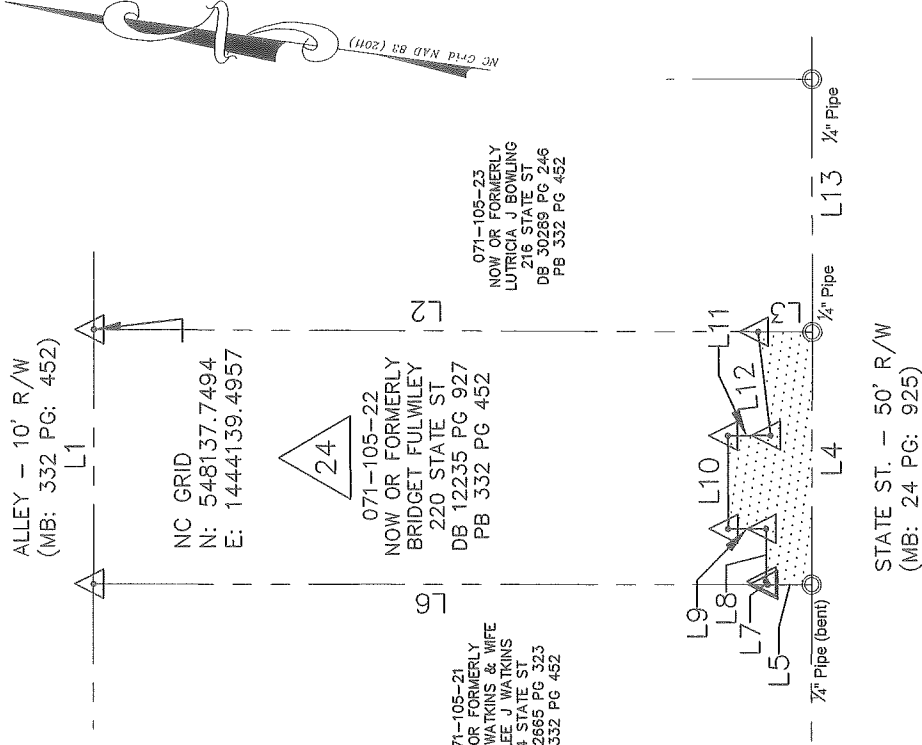
PREPARED BY:  
MERRICK & COMPANY  
1001 MOREHEAD SQUARE DR.  
SUITE 530  
CHARLOTTE, NC 28203  
704-529-6500



*DB 33232-716*



VICINITY MAP (NOT TO SCALE)



CHARLOTTE

ENGINEERING & PROPERTY MANAGEMENT

**REVISIONS**

REV-1

SCALE 1" = 40'

DATE 07/23/2018

STATE STREET PEDESTRIAN IMPROVEMENT PROJECT

PROPERTY ACQUISITION

OWNER: BRIDGET FULWILEY

CHARLOTTE, MECKLENBURG CO., NC

JOB NO. PMS181539

FILE NO. -

SHEET 1

OF 1

CHECKED BY SURVEY SUPERVISOR