

I, JAMES E. DAVIS, CERTIFY THAT THIS PLAT WAS PREPARED UNDER MY SUPERVISION AND THAT THE PLAT WAS PREPARED FOR THE PURPOSE OF ACQUISITION AND EASEMENTS ONLY, AND IS NOT INTENDED TO BE A BOUNDARY SURVEY OF PROPERTY SHOWN.


 JAMES E. DAVIS, NC P.L.S. L-3747 DATE

State of North Carolina
 County of Mecklenburg

I, _____, Review Officer of Mecklenburg County, certify that the map or plat to which this certification is affixed meets all statutory requirements for recording.

Review Officer _____ Date _____

- NOTE:**
- HORIZONTAL DATUM FOR PROJECT IS NC GRID NAD83(2011) AND VERTICAL DATUM IS NAVD86 FROM GPS OBSERVATIONS COMPLETED ON APRIL 04, 2017 UTILIZING THE NC VRS NETWORK. NCGS POINT "NC77" WAS UTILIZED AS THE NETWORK BASE AND NGS GEOID 12B WAS THE GEOID MODEL. THE LOCALIZATION POINT FOR THE PROJECT WAS MERRICK #205 HAVING NC GRID COORDINATES OF N=549229.675 FEET, E=1443216.005 FEET, ELEVATION=695.98 FEET AND A COMBINED FACTOR OF 0.999844756. ALL DISTANCES SHOWN ARE HORIZONTAL GROUND DISTANCES.
 - AREAS DETERMINED BY COORDINATE COMPUTATIONS.
 - TRAVERSE ADJUSTED BY LEAST SQUARE ADJUSTMENT METHOD.

Parcel Line Table

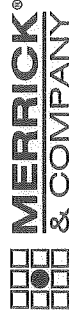
Line #	Length	Direction
L1	53.00	N82° 05' 41"E
L2	143.50	S7° 54' 19"E
L3	6.50	S7° 54' 19"E
L4	43.43	S82° 05' 41"W
L5	9.57	S82° 05' 41"W
L6	7.58	N7° 54' 13"W
L7	142.42	N7° 54' 19"W
L8	9.51	N81° 38' 32"E
L9	7.66	S8° 21' 28"E
L10	52.90	N82° 27' 01"E

LEGEND

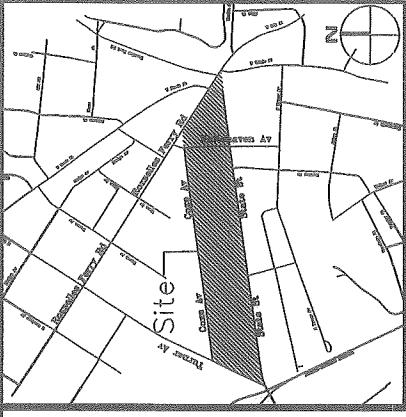
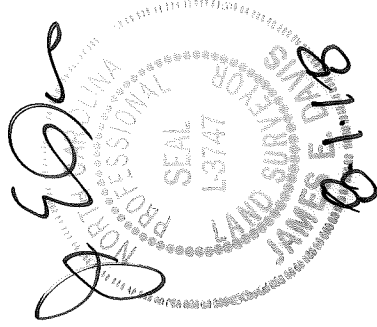
- COMPUTED POINT 
- IRON PIN FOUND 
- PROPERTY LINE 
- TEMP. CONSTRUCTION EASEMENT 

- AREAS:**
- TOTAL AREA 7,950 SQ. FT.
 - TEMP CONSTRUCTION EASEMENT 73 SQ. FT.
 - AREA REMAINING 7,950 SQ. FT.

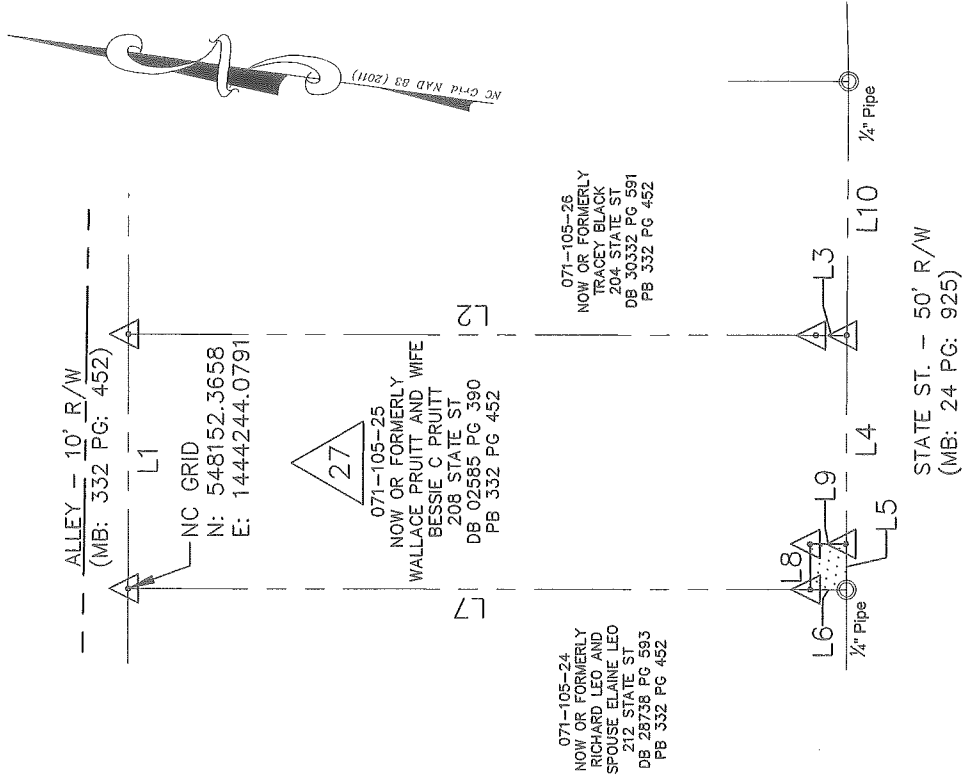
PREPARED BY:
 MERRICK & COMPANY
 1001 MOREHEAD SQUARE DR.
 SUITE 530
 CHARLOTTE, NC 28203
 704-529-6500



DB 33165-851



VICINITY MAP (NOT TO SCALE)



CHARLOTTE
 ENGINEERING & PROPERTY MANAGEMENT

REVISIONS

STATE STREET
 PEDESTRIAN
 IMPROVEMENT PROJECT

PROPERTY ACQUISITION
 OWNER: WALLACE PRUITT
 AND WIFE BESSIE C PRUITT
 CHARLOTTE, MECKLENBURG CO., NC

1" SCALE
 1" = 40'

DATE: 05/31/2018

CHECKED BY: SURVEY SUPERVISOR

JOB NO. PMES181539
 FILE NO. -
 SHEET 1 OF 1