



CHARLOTTE EASTLAND MALL, LLC  
 TAX CODE: 103-041-27  
 DB 12807 PAGE 675 (TRACT III)

(23)

EASTLAND, LTD.  
 TAX CODE: 103-041-34  
 DB 3658 PG 634  
 DB 6714 PG 310 (TRACT 3)

(22)

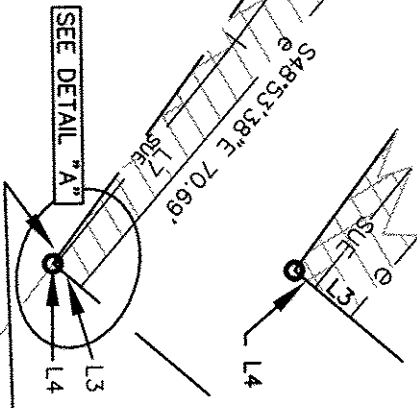
- LEGEND**
- IRON PIN (FOUND)
  - ▨ TEMP. CONSTRUCTION EASEMENT
  - ▨ SIDEWALK/UTILITY EASEMENT
  - LINES SURVEYED
  - LINES NOT SURVEYED

CURVE TABLE			
CURVE	LENGTH	RADIUS	CHORD BEARING
(C1)	(154.50)	(3156.27)	
C1	154.84	154.82	N54°20'49"W

LINE TABLE		
LINE	LENGTH	BEARING
L1	6.36	N34°53'33"E
L2	7.47	N34°53'33"E
L3	5.23	N40°53'04"E
L4	0.43	N40°53'04"E
L5	34.95	S54°08'38"E
L6	75.15	S52°20'39"E
L7	45.00	S50°17'55"E

CENTRAL AVENUE  
 (100' RW)

DETAIL "A"  
 NOT TO SCALE

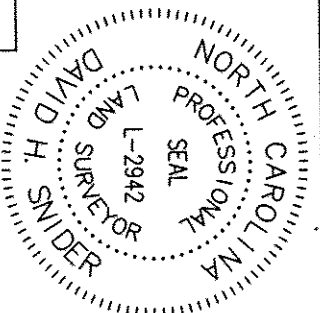


(S39°30'00"W 138.83')  
 S40°53'04"W

(21)

H/V CENTRAL AVENUE, LLC  
 TAX CODE: 103-041-29  
 DB 10956 PG 224

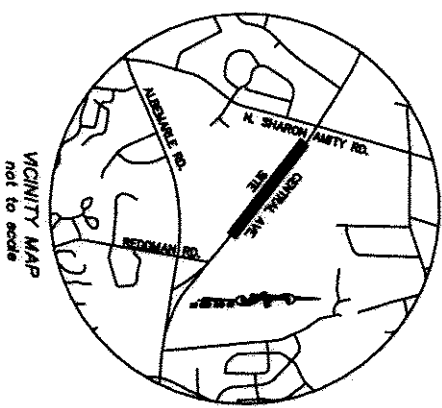
#4 REBAR  
 GRID FACTOR=0.999843745  
 N 535860.25  
 E 1475389.08  
 B sta. "-L-"  
 1364+19.40  
 52.16' LT.



Review Officer of Mecklenburg County, certify that the map or plat to which this certification is affixed meets all statutory requirements for recording.

Review Officer \_\_\_\_\_ Date \_\_\_\_\_

I, DAVID H. SNIDER, CERTIFY THAT THIS PLAT WAS PREPARED UNDER MY SUPERVISION AND THAT THE PLAT WAS PREPARED FOR THE PURPOSE OF EASEMENTS ONLY, AND IS NOT INTENDED TO BE A BOUNDARY SURVEY OF PROPERTY SHOWN.  
 David H. Snider 4/11/07  
 DAVID H. SNIDER, NC P.L.S. L-2942 DATE



**NOTE:**

- 1) BEARINGS AND DISTANCES SHOWN IN PARENTHESES ARE BASED ON RECORDED MAP INFORMATION.
- 2) TOTAL AREA 18,595 SQ.FT.
- 3) TEMP. CONSTRUCTION EASEMENT 1,066 SQ.FT.
- 4) SIDEWALK/UTILITY EASEMENT 582 SQ.FT.
- 5) AREA REMAINING 18,595 SQ.FT.

PREPARED BY:  
 CITY OF CHARLOTTE  
 ENGINEERING DEPARTMENT  
 800 EAST FOURTH STREET  
 CHARLOTTE, NC 28202  
 704-336-2291



\* RECORDED 10-12-07 DEED BOOK 22924 Pg. 446 \*

		CHARLOTTE ENGINEERING DEPARTMENT	JOB NO. 512-03-031
REVISIONS		CENTRAL AVENUE EASTLAND	FILE NO. JAN #203031
SCALE 1" = 30' 1" = 1"		OWNER: EASTLAND, LTD.	SHEET 1 OF 1
DRAWN BY: G.F.		CHARLOTTE, MECKLENBURG CO., NC	SURVEY SUPP.
DATE		K:\AUTOCAD\en_su-1d4\lan.203031\dwg\PLAT-22.dwg	CHECKED BY: