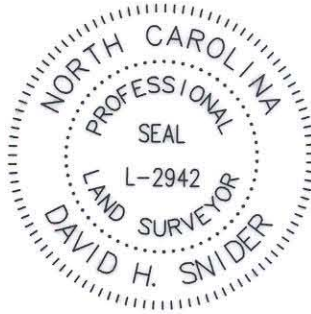


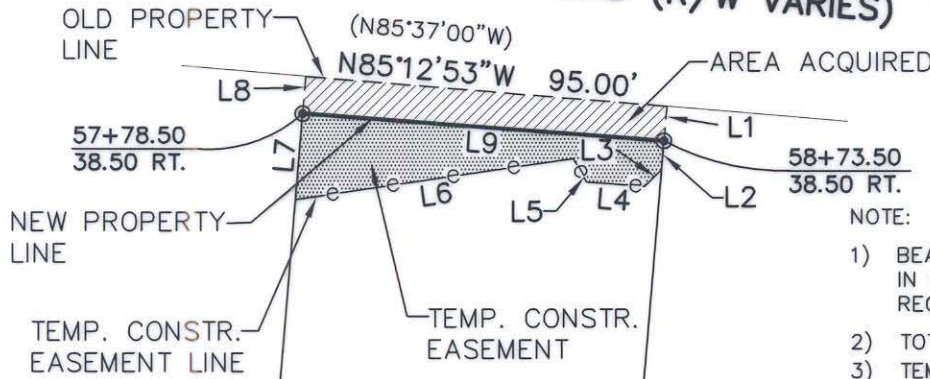
I, DAVID H. SNIDER, CERTIFY THAT THIS PLAT WAS PREPARED UNDER MY SUPERVISION AND THAT THE PLAT WAS PREPARED FOR THE PURPOSE OF ACQUISITION AND EASEMENTS ONLY, AND IS NOT INTENDED TO BE A BOUNDARY SURVEY OF PROPERTY SHOWN.

David H. Snider 01/29/03
 DAVID H. SNIDER, NC P.L.S. L-2942 DATE



VICINITY MAP (NOT TO SCALE)

HICKORY GROVE ROAD (R/W VARIES)



NOTE:

- 1) BEARINGS AND DISTANCES SHOWN IN PARENTHESES ARE BASED ON RECORDED MAP INFORMATION.
- 2) TOTAL AREA 38,000 SQ.FT.
- 3) TEMP. CONSTR. EASEMENT 1,310 SQ.FT.
- 4) AREA ACQUIRED 903 SQ.FT.
- 5) AREA REMAINING 37,097 SQ.FT.

72
 103-203-13
 CARL & VALERIE
 STEPHANS
 DB 09740 P082
 5718 HICKORY
 GROVE ROAD

73
 103-203-12
 JOMO A. HERON &
 GWENDOLYN B. WILLIAMS
 DB 05944 P275
 5726 HICKORY
 GROVE ROAD

74
 103-203-11
 RICHARD T. & FAYE
 MEDLIN
 DB 03172 P 289
 5734 HICKORY
 GROVE ROAD

S04°47'07"W 367.43'
 (S04°23'00"W 400.00' TOTAL)

(N04°23'00"E 400.00' TOTAL)
 N04°47'07"E 383.32'

LINE TABLE		
LINE	BEARING	LENGTH
L1	N04°47'07"E	9.15
L2	N04°47'07"E	7.53
L3	N44°53'15"E	6.30
L4	S85°44'25"E	15.16
L5	S29°45'57"E	7.11
L6	N81°36'49"E	73.69
L7	S04°47'07"W	22.69
L8	S04°47'07"W	9.88
L9	S85°39'10"E	95.00

ACQUISITION BY CITY
 RECORDED IN DEED BOOK
 DB 17919-100
 DATE 10-26-04

State of North Carolina
 County of Mecklenburg

I, _____, Review Officer of Mecklenburg County, certify that the map or plat to which this certification is affixed meets all statutory requirements for recording.

Review Officer _____

Date _____

LEGEND

- IRON PIN FOUND ○
- #6 REBAR SET ●
- AREA ACQUIRED
- TEMP. CONSTRUCTION EASEMENT

(S85°37'00"E)
 S85°12'53"E (95.00')
 S85°19'08"E
 95.25'
 (TIE LINE)

PREPARED BY:
 CITY OF CHARLOTTE
 ENGINEERING DEPARTMENT
 600 EAST FOURTH STREET
 CHARLOTTE, NC 28202
 704-336-2291



CHARLOTTE ENGINEERING DEPARTMENT		
REVISIONS	HICKORY GROVE ROAD WIDENING	JOB NO. 97087
		FILE NO. 73_203-12
SCALE 1"=50'	PROPERTY ACQUISITION OWNER: JOMO A. HERON & GWENDOLYN B. WILLIAMS CHARLOTTE, MECKLENBURG CO., NC	SHEET 1
DRAWN BY: DLB		OF 1
DATE 12/17/02	CHECKED BY _____	SURVEY SUPVR. <i>DLB</i>