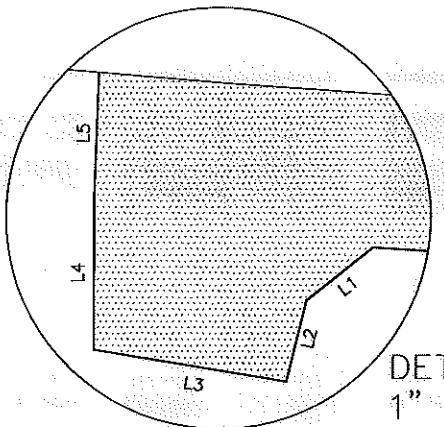


I, _____ REVIEW OFFICER OF MECKLENBURG COUNTY, CERTIFY THAT THE MAP OR PLAT TO WHICH THIS CERTIFICATION IS AFFIXED MEETS ALL STATUTORY REQUIREMENTS OF NORTH CAROLINA GENERAL STATUTES FOR RECORDING.

REVIEW OFFICER _____ DATE _____

NC GRID NAD 83/2007

LEGEND
 TCE = TEMPORARY CONSTRUCTION EASEMENT
 [Hatched Box] = TCE
 - - - = TCE
 - - - - - = EXISTING R/W
 ⊙ = IRON PIN FOUND



LINE	BEARING	DISTANCE
L1	N 28°10'06" W	22.29'
L2	N 66°34'01" W	21.62'
L3	N 19°23'58" E	50.56'
L4	S 79°50'35" E	40.96'
L5	S 77°55'14" E	31.34'

CURVE	RADIUS	ARC	CHORD BRG	CHORD
C1	3998.30'	505.40'	N 10°21'21" E	505.06'
C2	3957.16'	1702.84'	N 27°22'51" E	1689.73'
C3	3957.16'	622.62'	N 10°32'44" E	621.98'

SUBDIVISION OF PENNY BROS. LAND COMPANY, INC. M.B. 5, PG. 167

200' WIDE NORFOLK & SOUTHERN RAILWAY R/W

PARCEL ID# 11503258
 MECKLENBURG COUNTY, A POLITICAL SUBDIVISION
 D.B. 24061 /PG 753, TRACT 2
 SEYMOUR DRIVE

PARCEL ID# 11504602
 MECKLENBURG COUNTY, A POLITICAL SUBDIVISION
 D.B. 22413 /PG 23, TRACT 2
 3033 HOLABIRD LANE

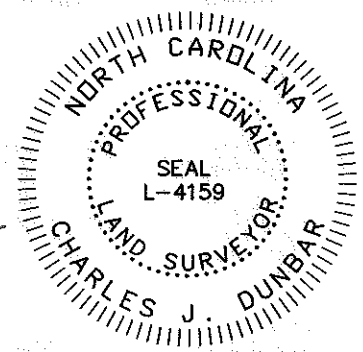
10003.10v01_PARCEL 60

- NOTE:
- 1) BEARINGS AND DISTANCES SHOWN IN PARENTHESES ARE BASED ON RECORDED MAP OR DEED INFORMATION.
 - 2) TOTAL AREA: 352,585 S.F., 8.094 AC.
 - 3) AREA IN TCE: 25,974 S.F., 0.598 AC.
 - 4) FEE AREA REMAINING: 352,585 S.F., 8.094 AC.

I, CHARLES J. DUNBAR, CERTIFY THAT THIS PLAT WAS PREPARED UNDER MY SUPERVISION AND THAT THIS PLAT WAS PREPARED FOR THE PURPOSE OF EASEMENTS ONLY, AND IS NOT INTENDED TO BE A BOUNDARY SURVEY OF PROPERTY SHOWN.

[Signature] 2/6/12
 DATE

CHARLES J. DUNBAR NC PLS L-4159
 DUNBAR GEOMATICS GROUP, PLLC
 P.O. BOX 3083
 HUNTERSVILLE, NC 28070-3053
 NC LIC. NO. P-0865



ATKINS
 Plans Prepared By:
 5200 77 CENTER DRIVE, SUITE 500
 CHARLOTTE, NORTH CAROLINA 28217
 (704) 522-7275 NCCOA: F-0326

REVISIONS		JOB NO.
		512-08-048
		FILE NO.
		PARCEL 60
		SHEET
		1
		OF
		1

CHARLOTTE ENGINEERING DEPARTMENT	
PONDEROSA NEIGHBORHOOD IMPROVEMENT PROJECT & MARKLAND/WEDGFIELD SIDEWALK PROJECT	
PROPERTY ACQUISITION OWNER: MECKLENBURG COUNTY, A POLITICAL SUBDIVISION CHARLOTTE, MECKLENBURG CO., NC	
SCALE 1" = 200'	DATE: 2/6/12
DRAWN BY: SLB	CHECKED BY: CJD
	SURVEY SUPVR.: RGG

ACQUISITION BY DB 28570 PG 393