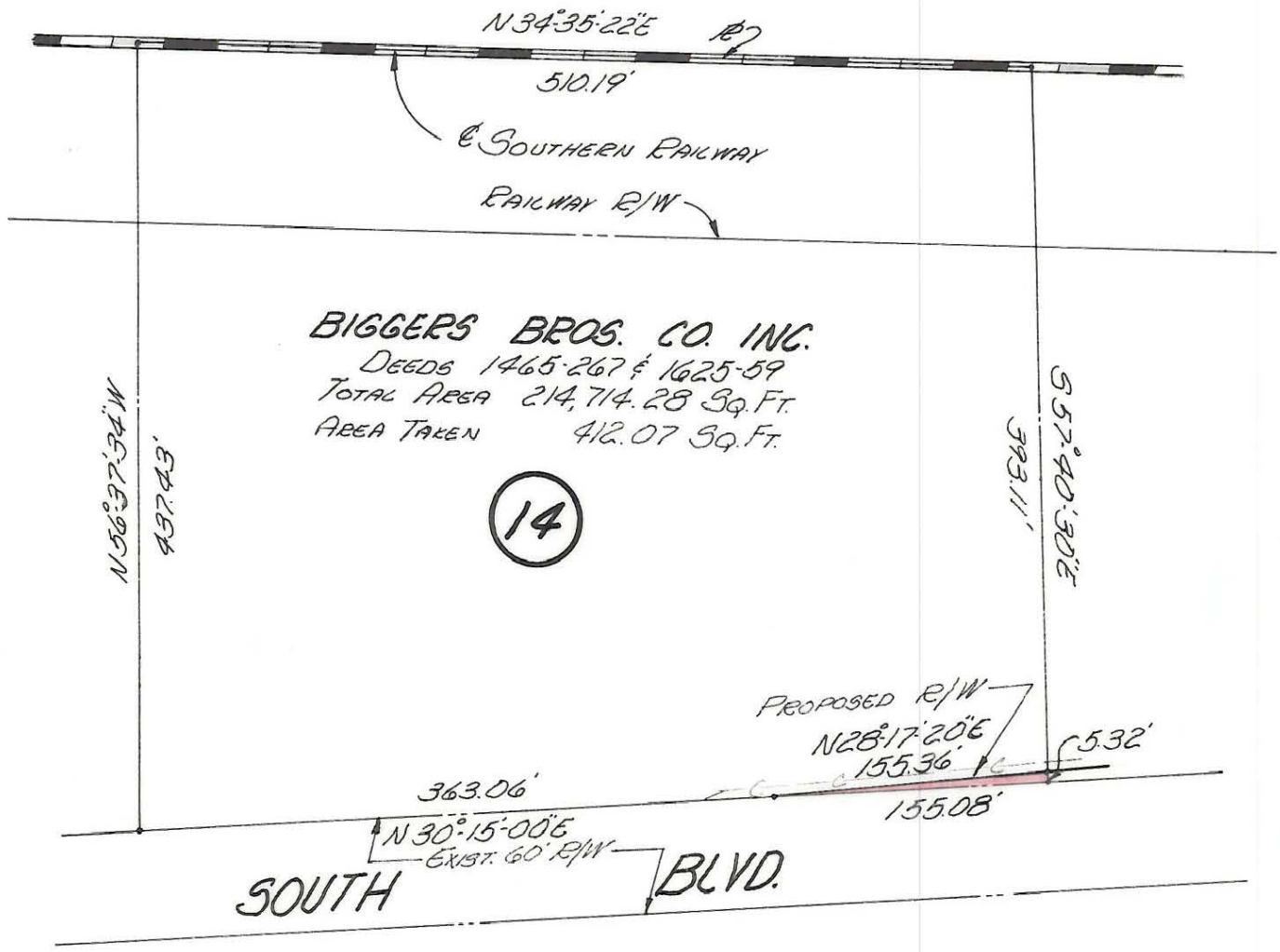
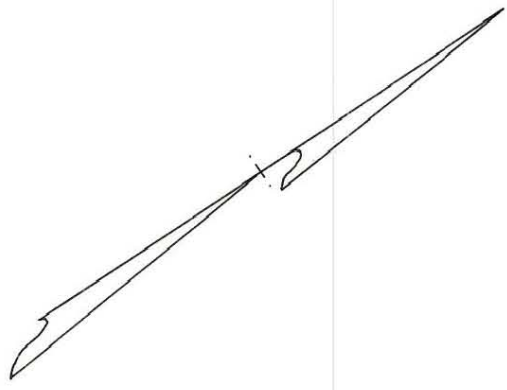


21-21 (A-A)

21-21 (A-A)



NOTE: Property corners shown circled were located by actual survey. Bearings are based on NORTH CAROLINA COORDINATES

Approved by _____
R/W Agent

This plat was prepared under my supervision C.D. Reading
N.C. Reg. Engineer No. 3659

CITY OF CHARLOTTE NORTH CAROLINA ENGINEERING DEPARTMENT		
REVISIONS	SOUTH BOULEVARD INTERSECTIONS	JOB NO.
	PROPERTY OF BIGGERS BROS. CO. INC.	FILE NO.
DRAWN BY J. Byrd		SHEET
CHECKED BY		OF
CITY ENGINEER	DATE JAN. 67	SCALE 1" = 100'

21-21 (A-A)

21-21 (A-A)

107-17-10