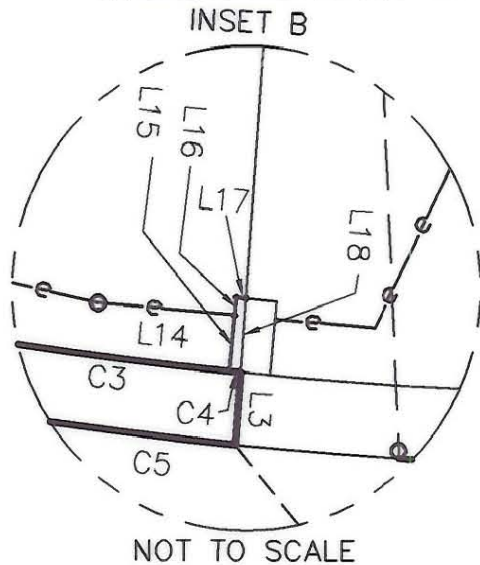
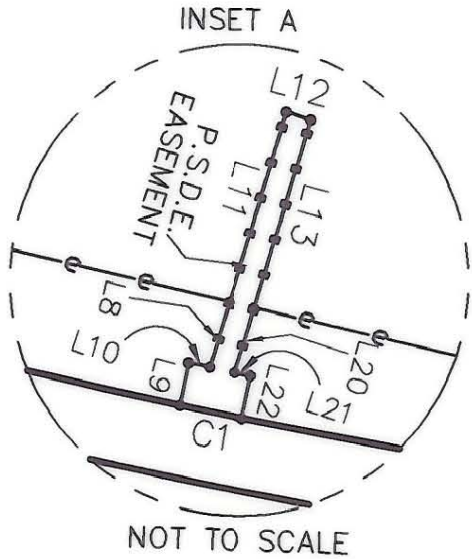


CURVE TABLE						
CURVE	LENGTH	RADIUS	DELTA	BEARING	CHORD	TANGENT
C1	5.00	560.78	00°30'39"	N56°29'08"E	5.00	2.50
C2	53.48	560.78	05°27'49"	N53°29'54"E	53.46	26.76
C3	19.37	560.78	01°58'44"	N57°43'49"E	19.37	9.68
C4	1.36	560.78	00°08'21"	N50°41'49"E	1.36	0.68
C5	80.00	570.00	08°02'30"	S54°44'01"W	79.94	40.07

ACQUISITION BY CITY  
 RECORDED IN DEED BOOK  
 DB 12641-799  
 DATE 09-07-01



LINE TABLE		
LINE	LENGTH	BEARING
L2	8.51	S35°31'13"E
L3	8.64	S40°48'30"E
L4	36.81	N57°58'30"E
L7	8.64	N35°31'13"W
L8	5.18	N27°38'58"W
L9	3.33	N33°30'52"W
L10	1.72	N56°39'15"E
L11	15.12	N27°38'58"W
L12	2.00	N62°21'02"E
L13	14.96	S27°38'58"E
L14	16.72	N50°12'57"E
L15	6.55	N39°42'24"W
L16	2.16	N39°42'24"W
L17	1.20	N50°23'51"E
L18	8.72	S40°48'30"E
L19	21.92	N57°58'30"E
L20	5.13	S27°38'58"E
L21	1.27	N56°17'38"E
L22	3.33	N33°30'52"W



SEE SHEET 1 FOR NOTES.

LEGEND

- PKS SET PK NAIL
- R/W RIGHT OF WAY
- EIR EXISTING IRON ROD
- (X) DESIGN PROJECT PARCEL NUMBER
- EIP EXISTING IRON PIPE
- CALCULATED POINT
- NIR NEW IRON REBAR SET
- e-e-e- TEMPORARY CONST. EASEMENT
- - - - - LINE FROM DEED OR MAP
- - - - - PROPERTY LINE SURVEYED
- E-E-E- PERMANENT EASEMENT

REVISIONS:

1. 3/30/01 P.S.D.E. AND TEMP. EASEMENT CHANGES
2. 4/11/01 AREA TABLE
3. 5/8/01 CURVE TABLE ADDED

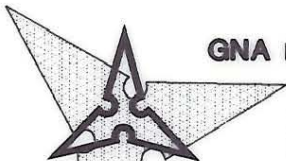


CITY OF CHARLOTTE

ENGINEERING AND PROPERTY MANAGEMENT

SHARON AMITY ROAD / LYTTLETON DRIVE INTERSECTION IMPROVEMENTS

GNA PROJECT # 46171	KATHLEEN H. CRAIG	JOB NO. 512-00-75
FIELD BOOK N/A		FILE NO.
SURVEYED 4-5/00	PARCEL 9	SHEET 2
SURVEY BY GNA DESIGN	DEED BOOK 4428 PAGE 764	OF 2
DRAWN BY WGF	TAX PARCEL NO. 157-202-29	
CHECKED BY FLH	DATE 12/22/00	SCALE: 1"=50'
SURVEY SUPVR.		



GNA DESIGN ASSOCIATES, Inc.

428 East Fourth Street  
 Suite 408 (704) 373-1907  
 Charlotte, NC 28202

Surveying • Landscape Architecture • Civil Engineering  
 GNA FILE NAME: 46171\RW PLATS\PARCEL9

157-202-29