

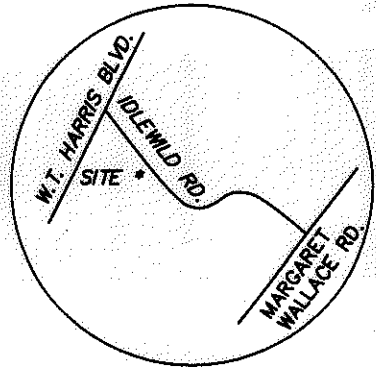
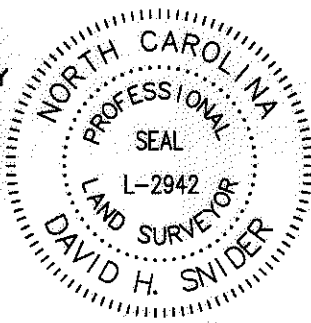
I, DAVID H. SNIDER, CERTIFY THAT THIS PLAT WAS PREPARED UNDER MY SUPERVISION AND THAT THE PLAT WAS PREPARED FOR THE PURPOSE OF ACQUISITION AND EASEMENTS ONLY, AND IS NOT INTENDED TO BE A BOUNDARY SURVEY OF PROPERTY SHOWN.

*David H. Snider* 9/21/11  
 DAVID H. SNIDER, NC P.L.S. L-2942 DATE:

State of North Carolina  
 County of Mecklenburg

I, \_\_\_\_\_, Review Officer of Mecklenburg County, certify that the map or plat to which this certification is affixed meets all statutory requirements for recording.

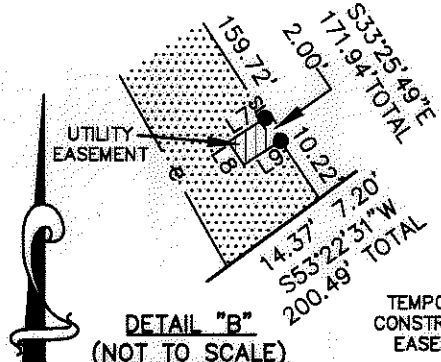
Review Officer \_\_\_\_\_ Date \_\_\_\_\_



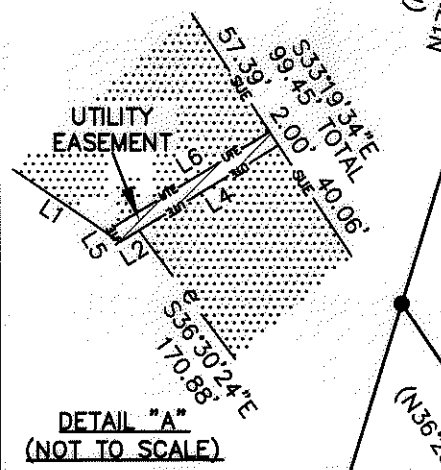
VICINITY MAP  
 not to scale

NOTE:

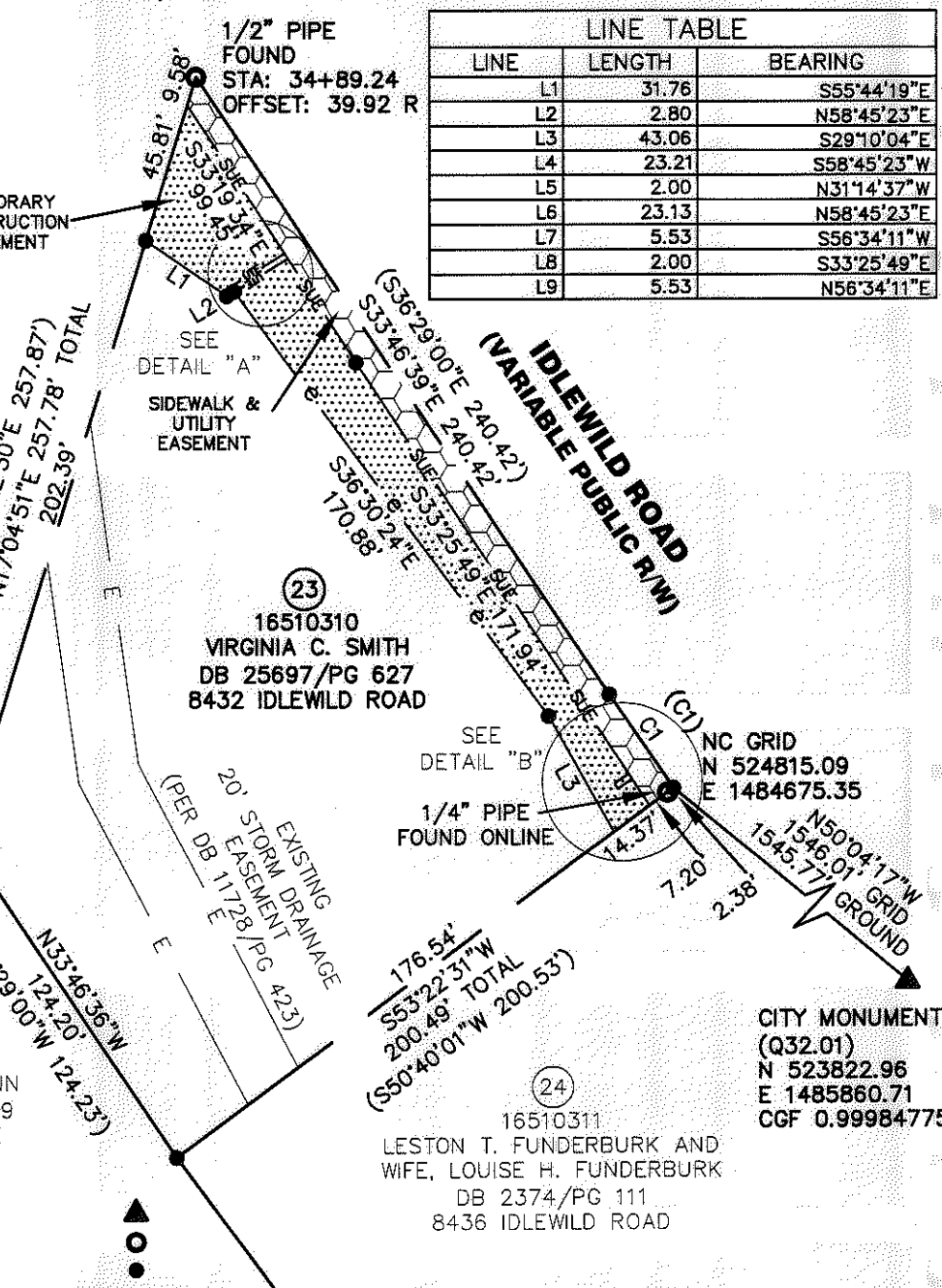
- 1) BEARINGS AND DISTANCES SHOWN IN PARENTHESES ARE BASED ON RECORDED MAP INFORMATION.
- 2) TOTAL AREA 40,107 SQ.FT.
- 3) TEMPORARY CONSTRUCTION EASEMENT 4,547 SQ.FT.
- 4) UTILITY EASEMENT 57 SQ.FT.
- 5) SIDEWALK AND UTILITY EASEMENT 2,304 SQ.FT.
- 6) AREA REMAINING 40,107 SQ. FT.



16510351  
 NANCY L. STARNES  
 DB 18616/PG 449  
 8517 ALICIA BRITTANY LANE  
 NC GRID NAD 83 (NSRS2007)



16510312  
 HENRY WHITE DUNN  
 DB 25332/PG 569  
 CRESTHILL DRIVE

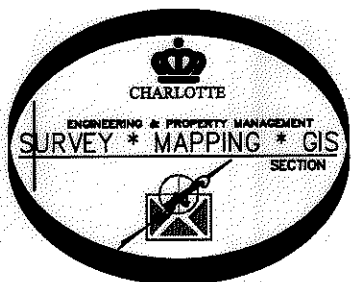


LINE	LENGTH	BEARING
L1	31.76	S55°44'19"E
L2	2.80	N58°45'23"E
L3	43.06	S29°10'04"E
L4	23.21	S58°45'23"W
L5	2.00	N31°14'37"W
L6	23.13	N58°45'23"E
L7	5.53	S56°34'11"W
L8	2.00	S33°25'49"E
L9	5.53	N56°34'11"E

CURVE	LENGTH	RADIUS	CHORD BEARING	CHORD
C1	36.54	2206.95	S34°15'49"E	36.54
(C1)	36.58	2206.95	N/A	N/A

LEGEND

- CITY MONUMENT
- IRON PIN FOUND
- CALCULATED POINT
- TEMPORARY CONSTRUCTION EASEMENT
- SIDEWALK & UTILITY EASEMENT
- UTILITY EASEMENT



PREPARED BY:  
 CITY OF CHARLOTTE  
 ENGINEERING DEPARTMENT  
 600 EAST FOURTH STREET  
 CHARLOTTE, NC 28208  
 704-336-2291

CHARLOTTE ENGINEERING DEPARTMENT

REVISIONS

SCALE 1" = 60'

DRAWN BY JB

DATE

CHARLOTTE

ENGINEERING DEPARTMENT

IDLEWILD ROAD WIDENING

PROPERTY ACQUISITION OWNER: VIRGINIA C. SMITH CHARLOTTE, MECKLENBURG CO., NC

CHECKED BY G SURVEY SUPVR. *PJL*

JOB NO. 512-03-011

FILE NO.

SHEET 1 OF 1

ACQUISITION BY DB 21183 PG 499-504