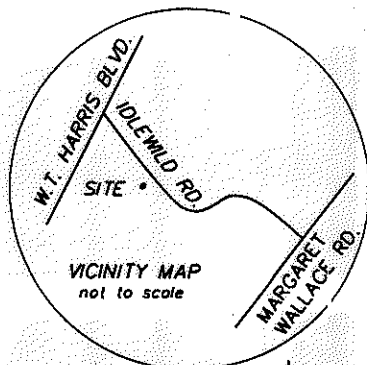
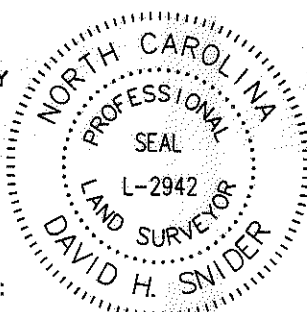


I, DAVID H. SNIDER, CERTIFY THAT THIS PLAT WAS PREPARED UNDER MY SUPERVISION AND THAT THE PLAT WAS PREPARED FOR THE PURPOSE OF ACQUISITION AND EASEMENTS ONLY, AND IS NOT INTENDED TO BE A BOUNDARY SURVEY OF PROPERTY SHOWN.

*David H. Snider* 3/27/12  
 DAVID H. SNIDER, NC P.L.S. L-2942 DATE:



State of North Carolina  
 County of Mecklenburg

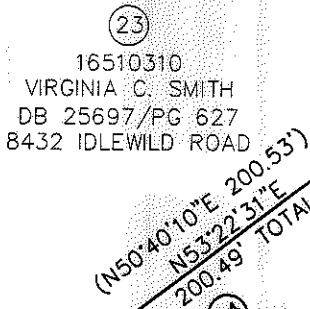
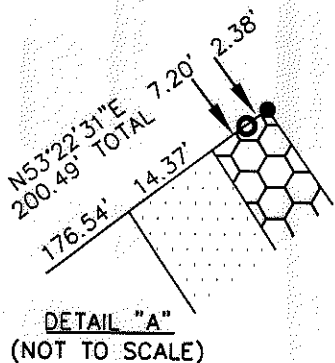
I, \_\_\_\_\_, Review Officer of Mecklenburg County, certify that the map or plat to which this certification is affixed meets all statutory requirements for recording.

Review Officer \_\_\_\_\_ Date \_\_\_\_\_

NOTE:

- 1) BEARINGS AND DISTANCES SHOWN IN PARENTHESES ARE BASED ON RECORDED MAP INFORMATION.
- 2) TOTAL AREA 20,066 SQ.FT.
- 3) TEMPORARY CONSTRUCTION EASEMENT 3,049 SQ.FT.
- 4) SIDEWALK AND UTILITY EASEMENT 974 SQ.FT.
- 5) FEE SIMPLE OUTSIDE EXISTING R/W 35 SQ.FT.
- 6) UTILITY EASEMENT 11 SQ.FT.
- 7) AREA REMAINING 20,031 SQ.FT.
- 8) CITY MONUMENT (Q32.01) N 523822.96, E 1485860.71, CGF 0.99984775

LINE TABLE		
LINE	LENGTH	BEARING
L1	41.31	S33°25'49"E
L2	16.06	S18°03'05"E
L3	5.70	S56°34'11"W
L4	2.00	N33°25'49"W
L5	5.70	N56°34'11"E



DETAIL "A"  
(NOT TO SCALE)

DETAIL "B"  
(NOT TO SCALE)

165103112  
 HENRY WHITE DUNN  
 DB 25332/PG 569  
 CRESTHILL DRIVE

16510310  
 VIRGINIA C. SMITH  
 DB 25697/PG 627  
 8432 IDLEWILD ROAD

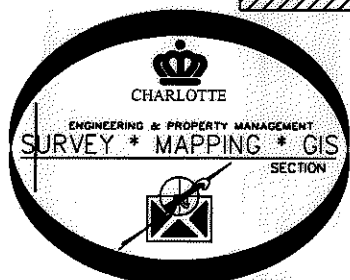
16510311  
 LESTON T. FUNDERBURK AND  
 WIFE, LOUISE H. FUNDERBURK  
 DB 2374/PG 111  
 8436 IDLEWILD ROAD

NC GRID  
 N 524744.82  
 E 1484723.45

LEGEND

- #5 REBAR SET
- CITY MONUMENT
- IRON PIN FOUND
- CALCULATED POINT
- TEMPORARY CONSTRUCTION EASEMENT
- FEE SIMPLE OUTSIDE EXISTING R/W
- SIDEWALK AND UTILITY EASEMENT
- UTILITY EASEMENT

CURVE TABLE					
CURVE	LENGTH	RADIUS	CHORD BEARING	CHORD	
C1	76.14	2206.95	S35°43'35"E	76.14	
C2	30.28	20.00	N06°39'44"E	27.47	



PREPARED BY:  
 CITY OF CHARLOTTE  
 ENGINEERING DEPARTMENT  
 600 EAST FOURTH STREET  
 CHARLOTTE, NC 28208  
 704-336-2291

CHARLOTTE ENGINEERING DEPARTMENT		
REVISIONS	IDLEWILD ROAD WIDENING	JOB NO. 512-03-011
3/26/2012 TCE		FILE NO.
SCALE 1" = 40'	PROPERTY ACQUISITION OWNER: LESTON T. FUNDERBURK AND WIFE, LOUISE H. FUNDERBURK CHARLOTTE, MECKLENBURG CO., NC	SHEET 1
DRAWN BY JB		OF 1
DATE	CHECKED BY GI	SURVEY SUPVR. <i>DM</i>