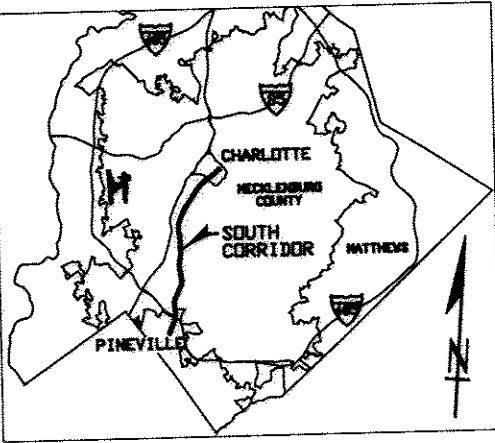


NAD 83

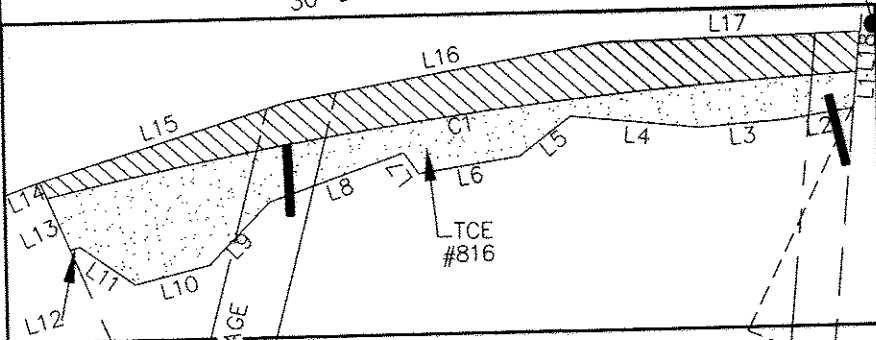
OLD PINEVILLE RD.
30' DED. R/W FROM C

TRACT I
DB 2881, PG 53



VICINITY MAP
NOT TO SCALE

EBENEZER ARP CHURCH
6201 OLD PINEVILLE RD.
OF CHARLOTTE N.C. INC.



INSET A
SEE SHEET 2 FOR
ADDITIONAL NOTES

TRACT II
DB 2881, PG 53

(216/816)

J&J PROPERTIES OF CHARLOTTE
6142 OLD PINEVILLE RD
DB 09483 PG 954
TAX #16909101
LOT 1
MB 29, PG 268

20' PUBLIC DRAINAGE EASEMENT

J&J PROPERTIES OF CHARLOTTE
OLD PINEVILLE RD
DB 09483 PG 954
TAX #16909114
LOT 2
MB 29, PG 268

15' SANITARY EASEMENT APPROXIMATE LOCATION

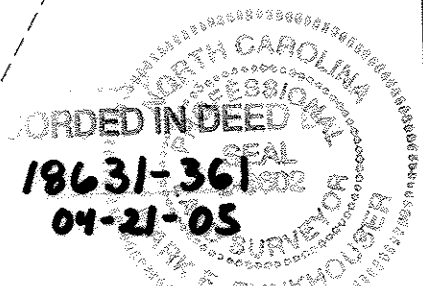
20' PUBLIC DRAINAGE EASEMENT

46' CLASS A BUFFER

20' PUBLIC DRAINAGE EASEMENT

14' CLASS C BUFFER

27' CLASS B BUFFER



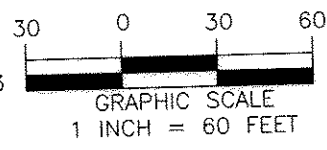
MARK E. FUNKHOUSER, CERTIFY THAT THE INFORMATION SHOWN HEREON IS CORRECT TO THE BEST OF MY KNOWLEDGE; THAT THE BOUNDARY SHOWN HEREON WAS COPIED FROM THE DEED FOR THIS PARCEL AS REFERENCED HEREON; THAT A FULL AND COMPLETE BOUNDARY SURVEY WAS NOT PERFORMED IN CONNECTION TO THIS MAPPING.

Mark E. Funkhouser 7-8-04

MARK E. FUNKHOUSER, PLS

STATE OF NORTH CAROLINA
COUNTY OF MECKLENBURG
I, _____, Review Officer of Mecklenburg County, certify that the map or plat to which this certification is attached meets all statutory requirements for recording.
Review Officer _____ Date _____

TRACT IV
DB 2881, PG 53



LEGEND

- LINES NOT SURVEYED
- - - RIGHT OF WAY
- NORFOLK SOUTHERN RAILWAY NSR
- PROPERTY CORNER FOUND ○
- CITY OF CHARLOTTE CITY
- COMPUTED POINT ○ CP
- AREA TO BE ACQUIRED [Hatched Box]
- TEMPORARY CONSTRUCTION EASEMENT (T.C.E.) [Dotted Box]
- UTILITY EASEMENT [Solid Black Box]



REVISIONS	
04-23-04 BKE	
06-22-04 BKE	
DRAWN BY: CAA	
CHECKED BY: MEF	
SURVEY SUPVR. MEF	

SOUTH CORRIDOR LRT PROJECT

PROPERTY ACQUISITION:
J&J PROPERTIES OF CHARLOTTE
CHARLOTTE, MECKLENBURG CO., NC

DATE: 03-10-03 SCALE: 1" = 60'

JOB NO.	512-01-078
FILE NO.	
SHEET	1
OF	3

PBSJ Survey Prepared By
5200 77 CENTER DRIVE, SUITE 500
CHARLOTTE, NORTH CAROLINA 28217
704-522-7275