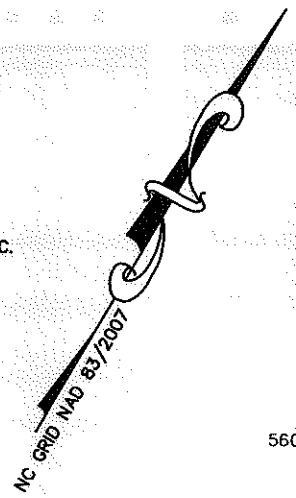


LEGEND

- TCE = TEMPORARY CONSTRUCTION EASEMENT
- UE = UTILITY EASEMENT
- = TCE
- = FEE SIMPLE OUTSIDE EXISTING R/W
- = FEE SIMPLE INSIDE EXISTING R/W
- = UE
- = TCE
- = EXISTING R/W
- = UE
- = NEW R/W
- = IRON REBAR SET

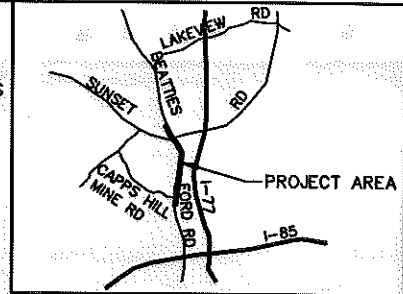
- NOTE:**
- 1) BEARINGS AND DISTANCES SHOWN IN PARENTHESES ARE BASED ON RECORDED MAP OR DEED INFORMATION.
 - 2) TOTAL AREA: 57,340 S.F., 1.316 AC.
 - 3) AREA IN TCE: 1,905 S.F., 0.044 AC.
 - 4) AREA IN UE: 10 S.F.
 - 5) FEE SIMPLE OUTSIDE EXISTING R/W: 2,273 S.F., 0.052 AC.
 - 6) FEE SIMPLE INSIDE EXISTING R/W: 2,500 S.F., 0.057 AC.
 - 7) FEE AREA REMAINING: 52,567 S.F., 1.207 AC.

LINE	BEARING	DISTANCE
L1	S 33°41'42" E	21.34'
L2	S 33°41'42" E	27.67'
L3	N 32°08'46" W	27.65'



I, _____ REVIEW OFFICER OF MECKLENBURG COUNTY, CERTIFY THAT THE MAP OR PLAT TO WHICH THIS CERTIFICATION IS AFFIXED MEETS ALL STATUTORY REQUIREMENTS OF NORTH CAROLINA GENERAL STATUTES FOR RECORDING.

REVIEW OFFICER _____ DATE _____



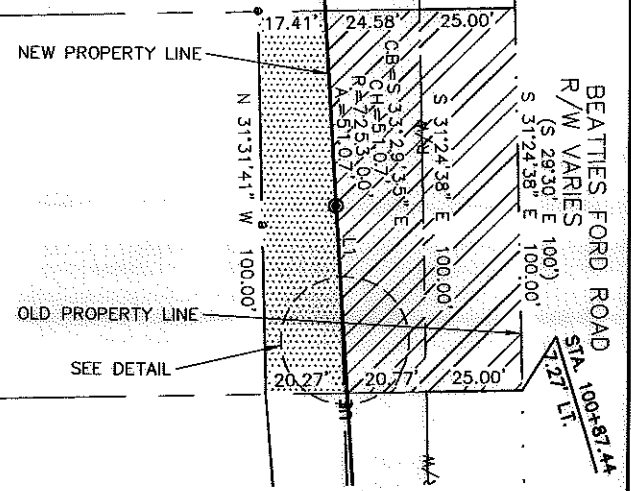
VICINITY MAP NOT TO SCALE

83
 TAX ID# 037-112-13
 BRUCE J. GRIFFIN
 LOT 11
 MB 5/PG 121
 DB 10368/PG 637
 5601 BEATTIES FORD ROAD

(N 60°30' E 572.65')
 N 58°41'55" E 571.94' TOTAL
 504.95'

82

TAX ID# 037-112-12
 JEFFREY R. KING
 TRACT 3
 DB 10363/PG 178
 LOT 10
 MB 5/PG 121
 5545 BEATTIES FORD ROAD



508.08'
 S 58°41'55" W 574.87' TOTAL
 (N 60°30' E 575.39')

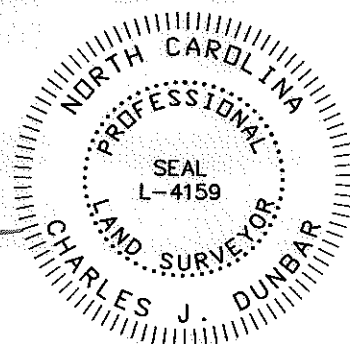
TAX ID# 037-112-11
 JEFFREY R. KING
 TRACT 4
 DB 10363/PG 178
 LOT 9
 MB 5/PG 121
 5539 BEATTIES FORD ROAD

81

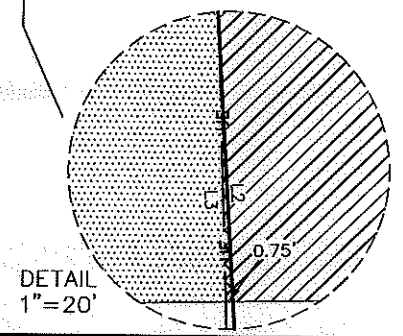
I, CHARLES J. DUNBAR, CERTIFY THAT THIS PLAT WAS PREPARED UNDER MY SUPERVISION AND THAT THIS PLAT WAS PREPARED FOR THE PURPOSE OF EASEMENTS ONLY, AND IS NOT INTENDED TO BE A BOUNDARY SURVEY OF PROPERTY SHOWN.

Charles J. Dunbar
 CHARLES J. DUNBAR NC PLS L-4159
 DUNBAR GEOMATICS GROUP, PLLC
 P.O. BOX 3053
 HUNTERVILLE, NC 28070-3053
 NC LIC. NO. P-0865

1/23/12
 DATE



(S 27°56' E 100.03')
 N 29°44'05" W 100.04'



DETAIL 1"=20'

ATKINS
 Plans Prepared By:
 5200 77 CENTER DRIVE, SUITE 500
 CHARLOTTE, NORTH CAROLINA 28217
 (704) 522-7275 NCCOA: F-0326

		JOB NO. 512-03-013
CHARLOTTE ENGINEERING DEPARTMENT		FILE NO. PARCEL 82
BEATTIES FORD ROAD WIDENING PROJECT		SHEET 1
PROPERTY ACQUISITION OWNER: JEFFREY R. KING CHARLOTTE, MECKLENBURG CO., NC		OF 1
REVISIONS	SCALE 1" = 50' 0' 50'	
DRAWN BY: SLB	DATE: 1/23/12	CHECKED BY: CJD SURVEY SUPVR.: RGG