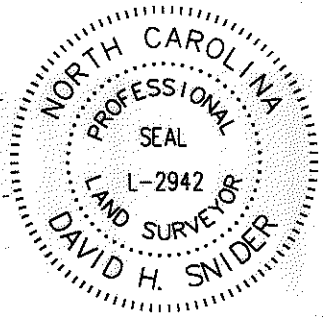


CHARLOTTE-MECKLENBURG
BOARD OF EDUCATION
TAX CODE: 055-133-09
DB 1870 PG 471

I, DAVID H. SNIDER, CERTIFY THAT THIS PLAT WAS PREPARED UNDER MY SUPERVISION AND THAT THE PLAT WAS PREPARED FOR THE PURPOSE OF EASEMENTS ONLY, AND IS NOT INTENDED TO BE A BOUNDARY SURVEY OF PROPERTY SHOWN.

David H. Snider 4/15/11
DAVID H. SNIDER, NC P.L.S. L-2942 DATE



S84°14'19"W
(S83°11'28"W 80.00')

EXISTING 10' DRAINAGE & UTILITIES EASEMENT PER MB 14-563

- LEGEND**
- CALCULATED POINT
 - IRON PIN FOUND
 - TEMP. CONSTRUCTION EASEMENT
 - LINES SURVEYED
 - LINES NOT SURVEYED



(S06°53'35E 143.08')
N05°38'54"W

(21)
TERRY D. HUNT
TAX CODE: 055-133-12
DB 20699 PG 150
8708 STONEHURST DRIVE

(20)
WALTON LEE BUSTLE &
DIAN E. BUSTLE
TAX CODE: 055-133-13
DB 5422 PG 469
8700 STONEHURST DRIVE

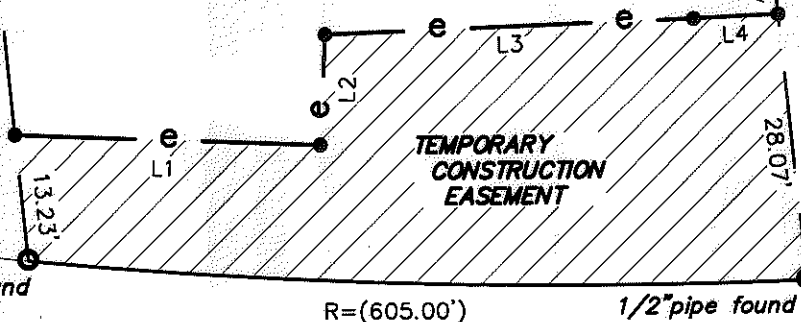
- NOTE:**
- 1) BEARINGS AND DISTANCES SHOWN IN PARENTHESES ARE BASED ON RECORDED MAP INFORMATION.
 - 2) COMPUTED PROJECT DISTANCE _____*
 - 3) TOTAL AREA 11,982 SQ.FT.
 - 4) TEMP. CONSTRUCTION EASEMENT 1,762 SQ.FT.
 - 5) AREA REMAINING 11,982 SQ.FT.

(22)
RONALD W. RHEA &
M. GAYLE FRY RHEA
TAX CODE: 055-133-11
DB 5332 PG 873
8714 STONEHURST DRIVE

(S06°53'35E 153.84')
N05°49'31"W

11+37.49 -stonehurst-
40.87' RT.

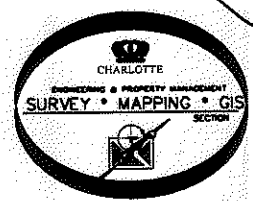
1/2" pipe found
NAD 83/2001
COORDINATES
N 559,749.71
E 1,417826.39



LINE TABLE		
LINE	LENGTH	BEARING
L1	31.83	S87°42'28"E
L2	11.54	N02°48'39"E
L3	38.41	N87°53'03"E
L4	8.84	N87°22'34"E

R=(605.00')
L=(80.00') 81.24*
CH=81.18'
S88°06'36"W

STONEHURST DRIVE
50' RW



State of North Carolina
County of Mecklenburg

I, _____, Review Officer of Mecklenburg County, certify that the map or plat to which this certification is affixed meets all statutory requirements for recording.

Review Officer _____ Date _____

PREPARED BY:
CITY OF CHARLOTTE
ENGINEERING DEPARTMENT
600 EAST FOURTH STREET
CHARLOTTE, NC 28208
704-336-2291

REVISIONS		JOB NO.
		512-08-052
		FILE NO.
PAWTUCKETT NIP		LAN #208052
OWNER: TERRY D. HUNT TAX CODE: 055-133-12 CHARLOTTE, MECKLENBURG CO., NC		SHEET 1
DRAWN BY G.F.	CHECKED BY _____	OF 1
DATE _____	SURVEY SUPVR. <i>DH</i>	
K:\AUTOCAD\en_su-1d4\lan.208052 PHASE 2\PLAT MAPS and THERE INFORMATION\Plat-21		