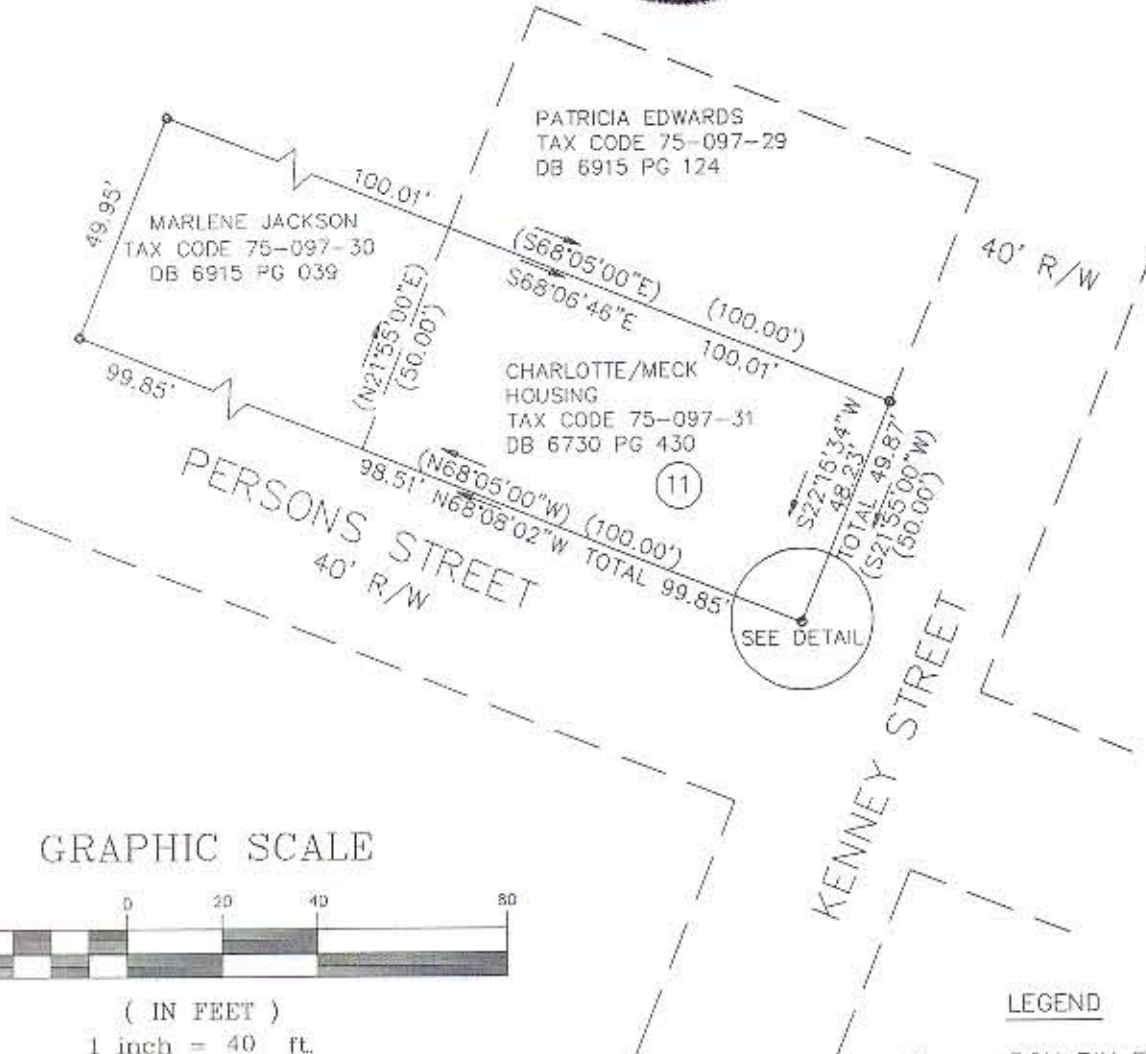
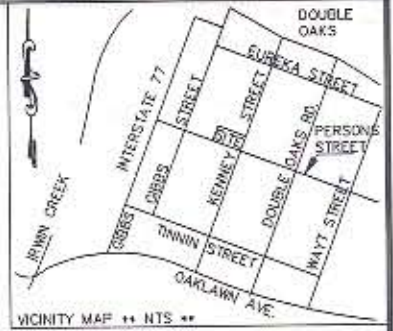


THIS PLAT WAS PREPARED UNDER MY SUPERVISION

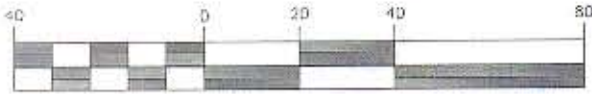
R. Dennis Smith 12-11-92

N.C. REG. LAND SURVEYOR NO. L - 1482



MB 6 PG 216

GRAPHIC SCALE

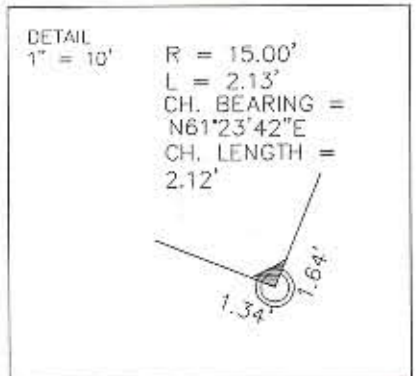


(IN FEET)
1 inch = 40 ft.

LEGEND

- IRON PIN FOUND
- AREA OF PERMANENT SIDEWALK EASEMENT

REQUESTING BY CITY
RECORDED IN DEED BOOK
7203 Pg 89
DATE **2/23/93**



THIS PLAT WAS PREPARED FOR PURPOSE OF ACQUIRING A PERMANENT SIDEWALK EASEMENT ONLY AND IS NOT INTENDED TO BE A BOUNDARY SURVEY OF THE PROPERTY SHOWN.

NOTES

- 1) BROKEN LINES INDICATE PROPERTY NOT SURVEYED.
- 2) BEARINGS AND DISTANCES IN PARENTHESES ARE BASED ON DEED INFORMATION.
- 3) TOTAL AREA BY DEED 5,985 SQ. FT.
- 4) AREA IN PERMANENT SIDEWALK EASEMENT 1 SQ. FT.
- 5) AREA REMAINING 5,984 SQ. FT.

PREPARED BY:
CITY OF CHARLOTTE
ENGINEERING DEPARTMENT
600 EAST FOURTH STREET
CHARLOTTE, NC 28202
704-336-2291

| | | |
|-------------------------------------|--|-------------------|
| CHARLOTTE ENGINEERING DEPARTMENT | | |
| REVISIONS | GENESIS PARK PERMANENT SIDEWALK EASEMENT CHARLOTTE, MECKLENBURG CO., NC | JOB NO. 91080 |
| | PROPERTY OF CHARLOTTE/MECKLENBURG HOUSING | FILE NO. ESMT7 |
| DRAWN BY DB | | SHEET 1 |
| CHECKED BY <i>RDS</i> | | OF 1 |
| SURVEY SUPVR. | DATE 11-17-92 | SCALE 1"=40' |

DB 7203 Pg 89