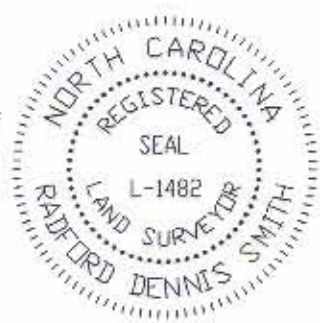


I, R. DENNIS SMITH, CERTIFY THAT THIS PLAT WAS PREPARED UNDER MY SUPERVISION AND THAT THE PLAT WAS PREPARED FOR THE PURPOSE OF ACQUISITION AND EASEMENTS ONLY, AND IS NOT INTENDED TO BE A BOUNDARY SURVEY OF PROPERTY SHOWN.

R. Dennis Smith 4/1/98
 R. DENNIS SMITH, NC R.L.S. L-1482 DATE



VICINITY MAP
NOT TO SCALE

NC GRID NAD 83

LEGEND

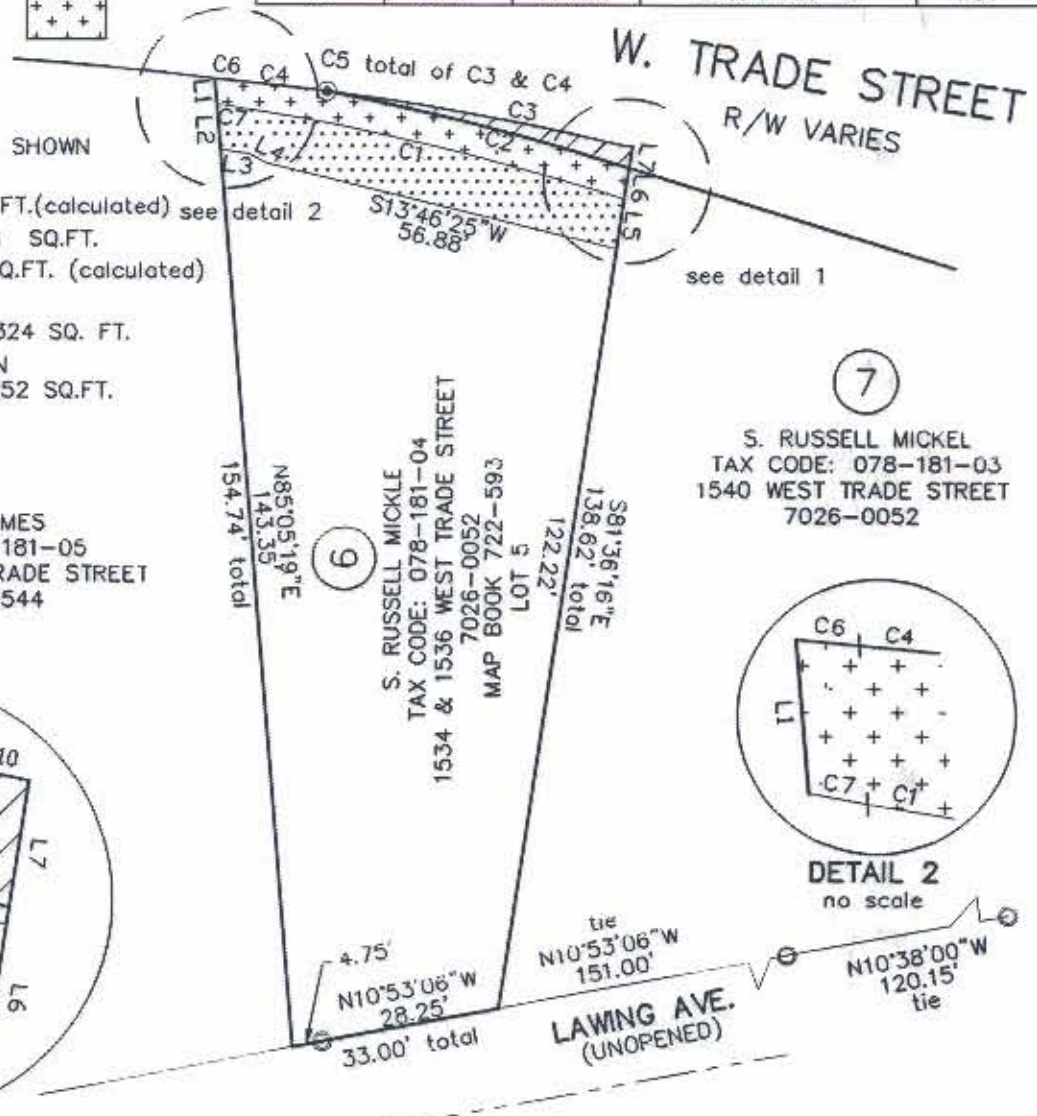
- CONCRETE MONUMENT
- IRON PIN FOUND
- IRON PIN SET
- RIGHT OF WAY
- TEMPORARY CONSTRUCTION EASEMENT
- AREA ACQUIRED
- PERMANENT SIDEWALK EASEMENT

LINE TABLE

CURVE	LENGTH	RADIUS	CHORD BEARING	CHORD
C1	60.67'	389.50'	S 12°52'58" W	60.61'
C2	45.16'	394.50'	S 14°03'56" W	45.13'
C3	47.39'	457.04'	S 10°22'07" W	47.37'
C4	17.51'	457.04'	S 06°18'01" W	17.51'
C5	61.03'	457.04'	S 05°54'55" W	60.98'
C6	0.31'	453.76'	S 07°32'38" W	0.31'
C7	0.57'	371.63'	S 10°17'08" W	0.57'

NOTE:

- 1) LINES NOT SURVEYED ARE SHOWN AS BROKEN LINES
- 2) TOTAL AREA 7,219 SQ. FT. (calculated) see detail 2
- 3) AREA ACQUIRED 78 SQ. FT.
- 4) AREA REMAINING 7,141 SQ. FT. (calculated)
- 5) PERMANENT SIDEWALK EASEMENT 324 SQ. FT.
- 6) TEMPORARY CONSTRUCTION EASEMENT 552 SQ. FT.

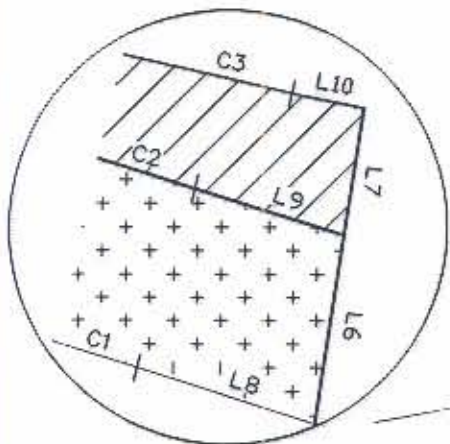


5

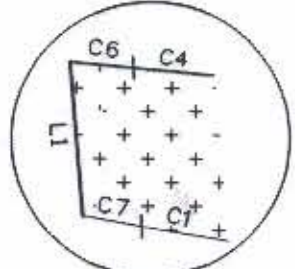
LAVERT G. JAMES
 TAX CODE: 078-181-05
 1520 & 1522 WEST TRADE STREET
 DEED 2631-0544

7

S. RUSSELL MICKEL
 TAX CODE: 078-181-03
 1540 WEST TRADE STREET
 7026-0052



DETAIL 1
1"=5'

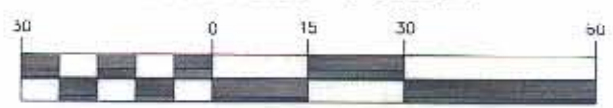


DETAIL 2
no scale

LINE TABLE

LINE	LENGTH	BEARING
L1	4.10	N85°05'19"E
L2	7.29	N85°05'19"E
L3	4.50	S07°42'12"W
L4	3.22	S28°32'56"W
L5	7.96	S81°36'16"E
L6	5.06	S81°36'16"E
L7	3.39	S81°36'16"E
L8	4.89	S17°20'42"W
L9	4.10	S17°20'42"W
L10	1.62	N11°12'13"E

GRAPHIC SCALE



(IN FEET)
 1 inch = 30 ft.

PREPARED BY:
 CITY OF CHARLOTTE
 ENGINEERING DEPARTMENT
 600 EAST FOURTH STREET
 CHARLOTTE, NC 28208
 704-336-2291

		CHARLOTTE ENGINEERING DEPARTMENT	
WEST TRADE STREET IMPROVEMENTS		JOB NO. 51298039	
PROPERTY ACQUISITION S. RUSSELL MICKEL		FILE NO. PARCEL6	
CHARLOTTE, MECKLENBURG CO., NC		SHEET 1	
DATE 03/30/98		SCALE 1" = 30'	
DRAWN BY GAI		OF 1	
CHECKED BY RDX		DATE 03/30/98	
SURVEY SUPVR.		SCALE 1" = 30'	

078-181-02