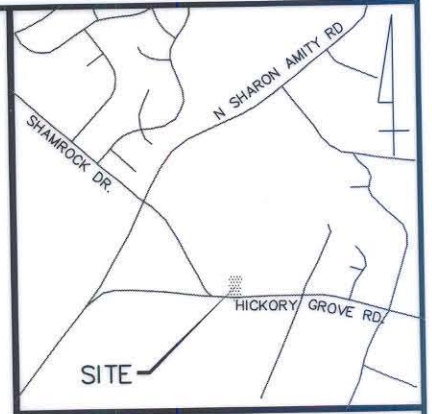


I, DAVID H. SNIDER, CERTIFY THAT THIS PLAT WAS PREPARED UNDER MY SUPERVISION AND THAT THE PLAT WAS PREPARED FOR THE PURPOSE OF ACQUISITION AND EASEMENTS ONLY, AND IS NOT INTENDED TO BE A BOUNDARY SURVEY OF PROPERTY SHOWN.

*David H. Snider* 4/8/02  
 DAVID H. SNIDER, NC P.L.S. L-2942 DATE



VICINITY MAP (NOT TO SCALE)

State of North Carolina  
 County of Mecklenburg

I, \_\_\_\_\_, Review Officer of Mecklenburg County, certify that the map or plat to which this certification is affixed meets all statutory requirements for recording.

Review Officer \_\_\_\_\_

Date \_\_\_\_\_

099-261-05  
 N.S. ALEXANDER  
 DB 303 PG 172  
 5014 N. SHARON AMITY RD.

**LEGEND**

- IRON PIN FOUND
- #6 REBAR SET
- AREA ACQUIRED
- TEMP. CONSTRUCTION EASEMENT
- APPARENT RIGHT-OF-WAY

N87°03'53"W 125.00'  
 (S86°33'00"E 125.00')

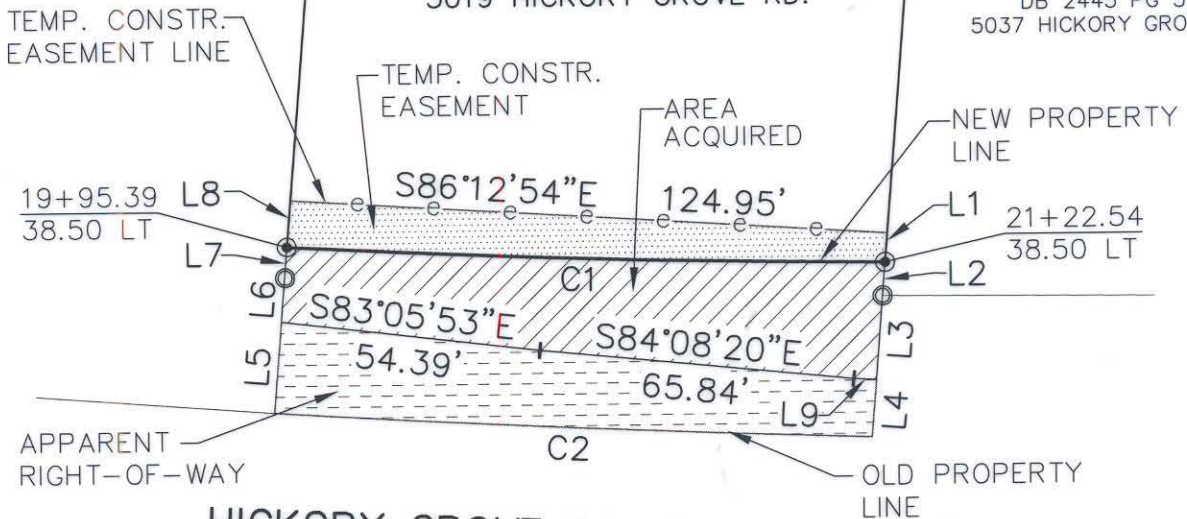
LINE	BEARING	LENGTH
L1	S04°54'07"W	6.25
L2	S04°54'07"W	7.07
L3	S04°54'07"W	17.81
L4	S04°54'07"W	12.17
L5	S04°54'07"W	19.30
L6	S04°54'07"W	9.34
L7	S04°54'07"W	6.56
L8	S04°54'07"W	9.96
L9	S87°04'20"E	4.74

**ACQUISITION BY CITY  
 RECORDED IN DEED BOOK  
 DB 15878-795  
 DATE 08-08-03**  
 NC GRID NAD83

099-261-06  
 ALICE A. SKINNER  
 DB 7197 PG 618

099-261-01  
 NATHANIEL ALEXANDER  
 DB 1568 PG 374  
 5019 HICKORY GROVE RD.

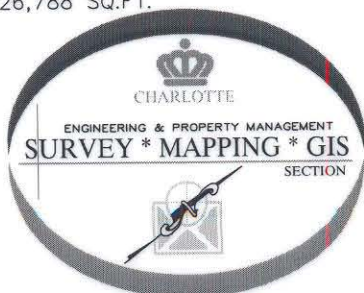
099-261-02  
 ALICE L. ALEXANDER  
 DB 2445 PG 510  
 5037 HICKORY GROVE RD.



**NOTE:**

- 1) BEARINGS AND DISTANCES SHOWN IN PARENTHESES ARE BASED ON RECORDED MAP INFORMATION.
- 2) TOTAL AREA 31,278 SQ.FT.
- 3) TEMP. CONSTR. EASEMENT 1,082 SQ.FT.
- 4) AREA ACQUIRED 2,527 SQ.FT.
- 5) APPARENT R/W 1,963 SQ.FT.
- 6) AREA REMAINING 26,788 SQ.FT.

CURVE	RADIUS	LENGTH	CHORD	BEARING
C1	2340.10	125.09	125.08	S87°55'01"E
(C2)	3500.00	125.01	125.00	S87°03'53"E



PREPARED BY:  
 CITY OF CHARLOTTE  
 ENGINEERING DEPARTMENT  
 600 EAST FOURTH STREET  
 CHARLOTTE, NC 28202  
 704-336-2291

		CHARLOTTE ENGINEERING DEPARTMENT	
REVISIONS		HICKORY GROVE ROAD WIDENING	
SCALE 1"=40'		PROPERTY ACQUISITION OWNER: NATHANIEL ALEXANDER CHARLOTTE, MECKLENBURG CO., NC	
DRAWN BY DLB		JOB NO. 512-97-087	
DATE 3/12/02		FILE NO. 099-261-01	
CHECKED BY SURVEY SUPVR.		SHEET 1 OF 1	