

I, DAVID H. SNIDER, CERTIFY THAT THIS PLAT WAS PREPARED UNDER MY SUPERVISION AND THAT THE PLAT WAS PREPARED FOR THE PURPOSE OF ACQUISITION AND EASEMENTS ONLY, AND IS NOT INTENDED TO BE A BOUNDARY SURVEY OF PROPERTY SHOWN.

*David H. Snider* 4/8/02  
 DAVID H. SNIDER, NC P.L.S. L-2942 DATE



State of North Carolina  
 County of Mecklenburg

I, \_\_\_\_\_, Review Officer of Mecklenburg County, certify that the map or plat to which this certification is affixed meets all statutory requirements for recording.

**LEGEND**

- IRON PIN FOUND
- #6 REBAR SET
- AREA ACQUIRED
- TEMP. CONSTRUCTION EASEMENT

VICINITY MAP (NOT TO SCALE)

Review Officer **ACQUISITION BY CITY** Date  
**RECORDED IN DEED BOOK**  
**DB 15878-795**

DATE 08-08-03 (S86°33'00"E 282.61')  
 N87°05'41"W 282.61'

099-261-03  
 NATHANIEL S. ALEXANDER  
 DB 2445 PG 512  
 5107 HICKORY GROVE RD.

LINE TABLE		
LINE	BEARING	LENGTH
L1	N25°33'24"E	8.26
L2	N25°33'24"E	13.31
L3	S05°07'11"W	11.58
L4	S05°07'11"W	9.20
L5	N89°58'09"E	44.62
L6	S88°42'07"E	49.79
L7	N87°23'07"E	64.57
L8	N86°54'45"E	23.45

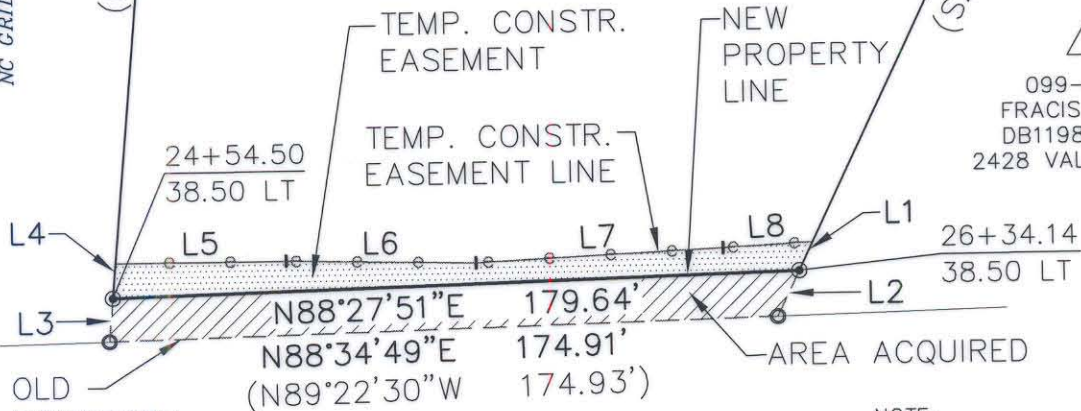


(N05°34'40"E 304.88' TOTAL)  
 S05°07'11"W 279.73'

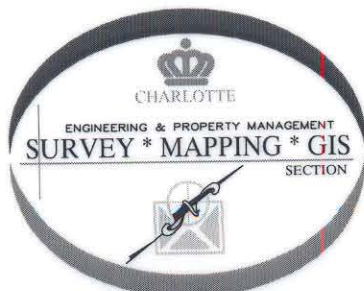
099-261-04  
 JAMES N. ALEXANDER  
 DB 2445 PG 511  
 5123 HICKORY GROVE RD.

099-271-14  
 WAYNE D. WATKINS  
 DB 8069 PG 506  
 2422 VALLEYVIEW DR.

099-271-13  
 FRACIS YACKLEY  
 DB11981 PG 949  
 2428 VALLEYVIEW DR.



- NOTE:
- 1) BEARINGS AND DISTANCES SHOWN IN PARENTHESES ARE BASED ON RECORDED MAP INFORMATION.
  - 2) TOTAL AREA 66,677 SQ.FT.
  - 3) TEMP. CONSTR. EASEMENT 1,267 SQ.FT.
  - 4) AREA ACQUIRED 2,071 SQ.FT.
  - 5) AREA REMAINING 64,606 SQ.FT.



PREPARED BY:  
 CITY OF CHARLOTTE  
 ENGINEERING DEPARTMENT  
 600 EAST FOURTH STREET  
 CHARLOTTE, NC 28202  
 704-336-2291

REVISIONS		JOB NO.
		512-97-087
		FILE NO.
		099-261-04
		SHEET
		1
		OF
		1

CHARLOTTE  
 ENGINEERING DEPARTMENT

HICKORY GROVE ROAD  
 WIDENING

PROPERTY ACQUISITION  
 OWNER: JAMES N. ALEXANDER  
 CHARLOTTE, MECKLENBURG CO., NC

SCALE 1"=50'

DRAWN BY DLB

DATE 3/26/02

CHECKED BY SURVEY SUPVR. *DLB*