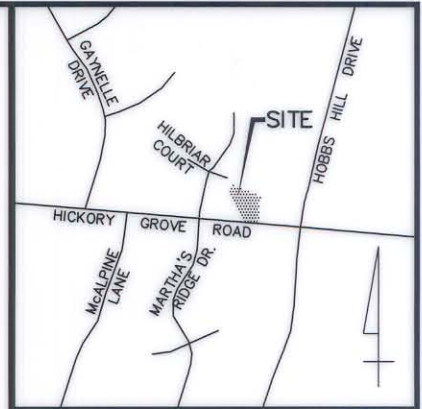
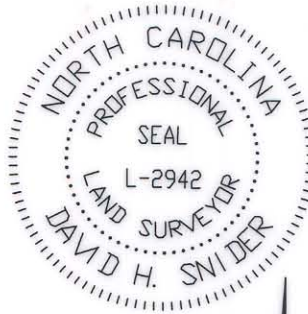


I, DAVID H. SNIDER, CERTIFY THAT THIS PLAT WAS PREPARED UNDER MY SUPERVISION AND THAT THE PLAT WAS PREPARED FOR THE PURPOSE OF ACQUISITION AND EASEMENTS ONLY, AND IS NOT INTENDED TO BE A BOUNDARY SURVEY OF PROPERTY SHOWN.

*David H. Snider* 11/19/02  
 DAVID H. SNIDER, NC P.L.S. L-2942 DATE



VICINITY MAP (NOT TO SCALE)

State of North Carolina  
 County of Mecklenburg

I, \_\_\_\_\_, Review Officer of Mecklenburg County, certify that the map or plat to which this certification is affixed meets all statutory requirements for recording.

Review Officer \_\_\_\_\_ Date \_\_\_\_\_

CURVE TABLE				
CURVE	RADIUS	LENGTH	CHORD	BEARING
C1	40.00	32.07	31.22	N44°33'33"E

**HILBRIAR COURT**  
 (40' R/W)

099-301-40  
 SUONG K. &  
 PHUONG M. LAM  
 DB 07357 P 369  
 5703 HILBRIAR CT.

N68°24'43"W (140.78')  
 (N65°14'58"W)

LINE TABLE		
LINE	BEARING	LENGTH
L1	N04°48'45"E	9.98
L2	N04°48'45"E	2.21
L3	S22°28'50"E	1.74
L4	S22°28'50"E	6.91
L5	S04°22'32"W	4.96

LEGEND  
 IRON PIN FOUND ○  
 #6 REBAR SET ●  
 AREA ACQUIRED [Hatched Box]  
 TEMP. CONSTRUCTION EASEMENT [Dotted Box]

RECORDED IN DEED BOOK  
 ACQUISITION BY CITY  
 15192-31  
 04-22-03

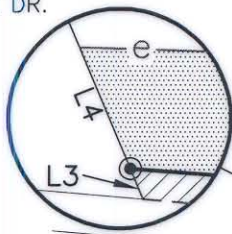
099-301-42  
 ANTHONY J. &  
 SUSAN M. POTTS  
 DB 11793 P 568  
 4533 MARTHA'S  
 RIDGE DR.

S22°28'50"E (173.94' TOTAL)  
 S19°19'05"E (165.29')

099-301-24  
 MARVIN L. &  
 DIANE B. HELMS  
 DB 05329 P 244  
 5727 HICKORY  
 GROVE RD.

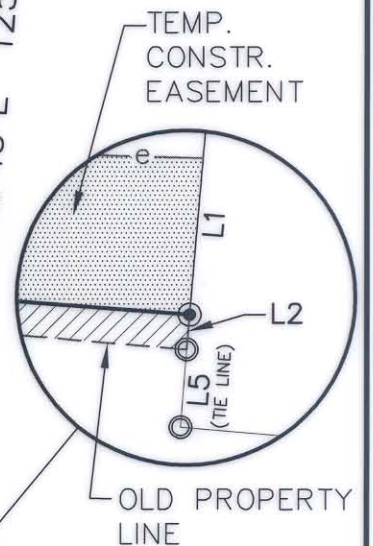
099-301-43  
 KEITH &  
 ANA V. BUTTON  
 DB 10431 P 516  
 4539 MARTHA'S  
 RIDGE DR.

099-301-41  
 FRANKIE L. &  
 GLORIA M. GILES  
 DB 06339 P 446  
 5702 HILBRIAR CT.



TEMP. CONSTR. EASEMENT LINE

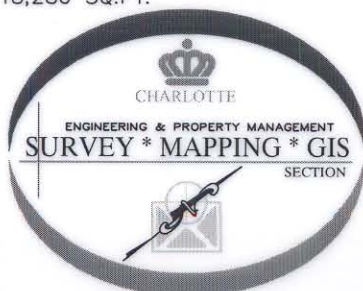
S88°24'54"E 79.08'  
 S85°39'10"E 75.79'  
 S85°08'45"E (74.99')  
 (S81°59'00"E)



NOTE:

- BEARINGS AND DISTANCES SHOWN IN PARENTHESES ARE BASED ON RECORDED MAP INFORMATION.
- TOTAL AREA 18,428 SQ.FT.
- TEMP. CONSTR. EASEMENT 628 SQ.FT.
- AREA ACQUIRED 142 SQ.FT.
- AREA REMAINING 18,286 SQ.FT.

HICKORY GROVE ROAD (R/W VARIES)



PREPARED BY:  
 CITY OF CHARLOTTE  
 ENGINEERING DEPARTMENT  
 600 EAST FOURTH STREET  
 CHARLOTTE, NC 28202  
 704-336-2291

REVISIONS		JOB NO. 97087
SCALE 1"=30'		
DRAWN BY DLB		SHEET 1
DATE 10/18/02		OF 1

CHARLOTTE ENGINEERING DEPARTMENT  
**HICKORY GROVE ROAD WIDENING**  
 PROPERTY ACQUISITION  
 OWNER: FRANKIE & GLORIA GILES  
 CHARLOTTE, MECKLENBURG CO., NC  
 CHECKED BY SURVEY SUPVR.