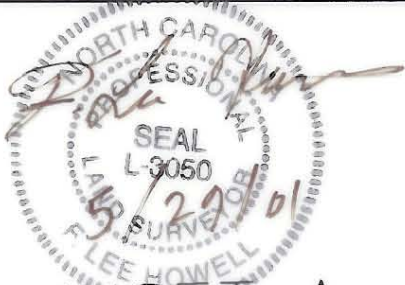


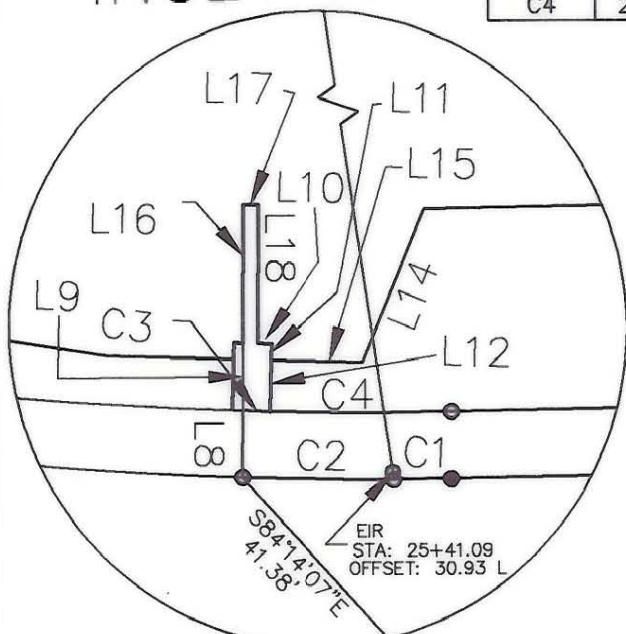
LINE TABLE		
LINE	LENGTH	BEARING
L1	22.01	S40°48'03"E
L2	0.85	N47°47'31"E
L3	8.33	N42°12'29"W
L4	13.67	N42°12'29"W
L5	1.39	N47°47'31"E
L6	8.50	S40°48'03"E
L7	0.57	S40°48'03"E
L8	8.64	S40°48'30"E
L9	8.72	S40°48'25"E
L10	1.80	N50°23'51"E
L11	2.14	S39°42'24"E
L12	6.58	N39°42'24"W
L13	14.22	N45°49'51"E
L14	21.54	N18°38'36"W
L15	12.23	N50°12'57"E
L16	18.00	N40°48'32"W
L17	2.00	N49°11'30"E
L18	18.05	N40°48'30"W

ACQUISITION BY CITY  
 RECORDED IN DEED BOOK  
 DB 12641-804  
 DATE 09-07-01



INSET A

CURVE TABLE						
CURVE	LENGTH	RADIUS	DELTA	BEARING	CHORD	TANGENT
C1	7.62	570.00	00°45'58"	N48°18'10"E	7.62	3.81
C2	20.16	570.00	02°01'36"	N49°41'57"E	20.16	10.08
C3	3.64	560.78	00°22'18"	N50°26'29"E	3.64	1.82
C4	24.12	560.78	02°27'53"	N49°01'24"E	24.12	12.06



N.T.S.

LEGEND

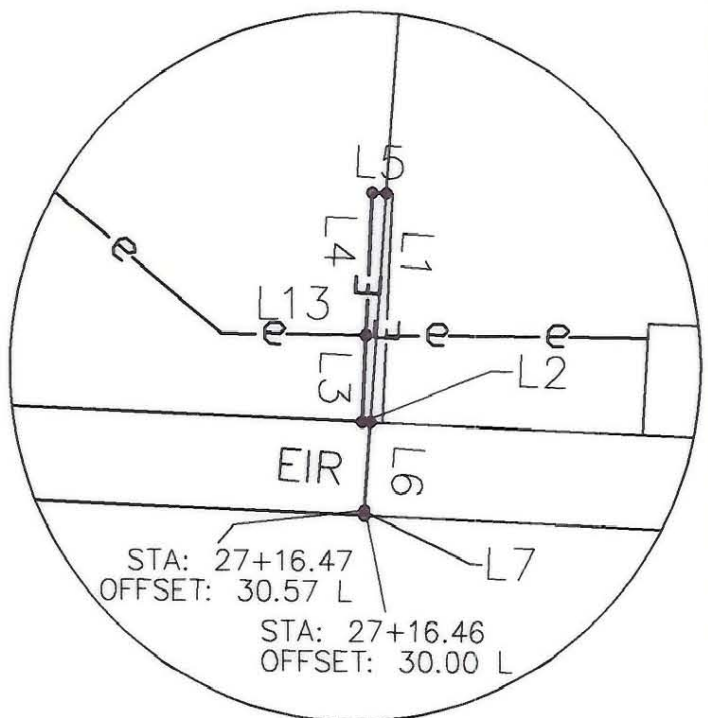
- PKS SET PK NAIL
- R/W RIGHT OF WAY
- EIR EXISTING IRON ROD
- X DESIGN PROJECT PARCEL NUMBER
- EIP EXISTING IRON PIPE
- CALCULATED POINT
- NIR NEW IRON REBAR SET
- e-e-e- TEMPORARY CONST. EASEMENT
- \_\_\_\_\_ LINE FROM DEED OR MAP
- \_\_\_\_\_ PROPERTY LINE SURVEYED
- E-E-E- PERMANENT EASEMENT

REFERENCES:

- DESIGN SURVEY BY GNA DESIGN ASSOCIATED DATED MAY 18, 2000
- PRELIMINARY DESIGN PLANS BY RS&H
- MAP BY CITY OF CHARLOTTE ENGINEERING DATED 11/19/1964, TITLED "SHARON AMITY ROAD WIDENING"
- NORTH ORIENTATION BASED ON REFERENCE NO. 1
- NO UTILITIES SHOWN.
- NO RECORD DOCUMENTS SUPPLIED FOR THIS SURVEY.
- THIS PARCEL SUBJECT TO EASEMENTS AND RESTRICTIONS OF RECORD.
- THIS MAP DOES NOT MEET G.S. 47-30 AND CANNOT BE RECORDED AS A PLAT.
- THIS MAP INVALID UNLESS IT BEARS THE ORIGINAL SEAL AND SIGNATURE OF THE SURVEYOR.

2) REVISED 5/23/01 ADDED SHEET 2, UTILITY EASEMENT-A EXPANDED, AREA TABLE (SHEET 1) REVISED

INSET B



N.T.S.




GNA DESIGN ASSOCIATES, Inc.

428 East Fourth Street  
 Suite 408 (704) 373-1907  
 Charlotte, NC 28202

Surveying • Landscape Architecture • Civil Engineering

GNA FILE NAME: 46171\RW PLATS\PARCEL10



**CITY OF CHARLOTTE**  
 ENGINEERING AND PROPERTY MANAGEMENT

**SHARON AMITY ROAD/ LYTTLETON DRIVE INTERSECTION IMPROVEMENTS**

GNA PROJECT # 46171	CHARLOTTE GOSPEL HALL TRUSTEES	JOB NO. 512-00-75
FIELD BOOK	PARCEL 10	FILE NO.
SURVEYED 4/5/00	DEED BOOK 3135 PAGE 100	SHEET 2
SURVEY BY GNA DESIGN	TAX PARCEL NO. 157-202-06	OF 2
DRAWN BY WGF	DATE 12/22/00	SCALE: 1"=50'
CHECKED BY FLH		
SURVEY SUPVR.		

157-202-06