

VICINITY MAP
not to scale

NC GRID NAD 83
(NSRS2007)

1" EIP FOUND
NC GRID NAD 83
(NSRS 2007)
NC GRID COORDINATES
N 517769.08'
E 1472223.20'
CGF: 0.999846493

TIE
N40° 36' 47"E
140.52' GROUND
140.34' GRID

1" EIP FOUND
NC GRID NAD 83
(NSRS 2007)
NC GRID COORDINATES
N 517875.76'
E 1472314.67'
CGF: 0.999846493

189-301-08
JOHN T. CHANDLER
NATSUKO KANEKO
DB 27343-446
1020 WEBER CT.

189-301-09
C. LEE DAVIS
DOROTHY D. DAVIS
DB 5120-411
1016 WEBER CT.

189-301-10
JOHN W. SINK
DEBORAH W. SINK
DB 21103-835
1014 CHARTER PL.

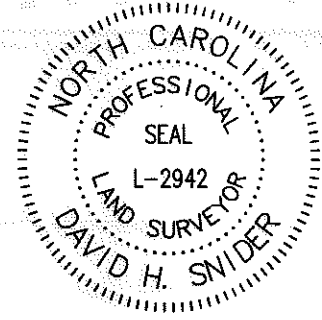
189-301-11
MYRNA F. ADAMS
DB 23961-220
1004 CHARTER PL.

189-301-12
MARY TYSON
DB 16277-418
1001 SHADOWBROOK LN.

189-301-14
PAUL O'BRIEN
NANCY A O'BRIEN
DB 18569-8
1017 SHADOWBROOK LN.

189-301-13
MARIO X. GARCIA
SHANNON H. GARCIA
DB 17342-458
1009 SHADOWBROOK LN.

I, DAVID H. SNIDER, CERTIFY THAT THIS PLAT WAS PREPARED UNDER MY SUPERVISION AND THAT THE PLAT WAS PREPARED FOR THE PURPOSE OF EASEMENTS ONLY, AND IS NOT INTENDED TO BE A BOUNDARY SURVEY OF PROPERTY SHOWN.
David H. Snider 11/6/12
DAVID H. SNIDER, NC P.L.S. L-2942 DATE

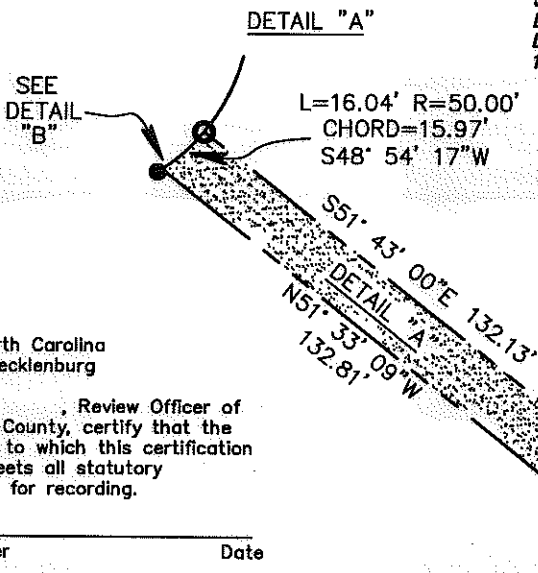


LEGEND

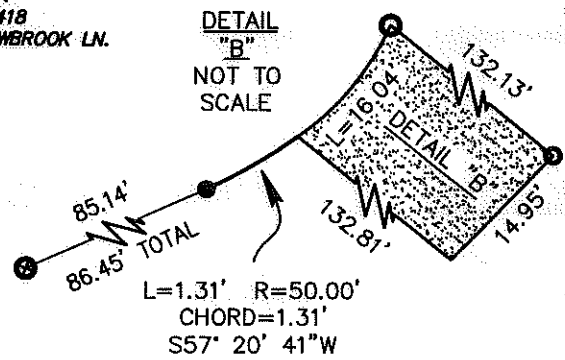
- PROPERTY CORNER FOUND
- CONTROL POINT FOUND
- CALCULATED POINT
- LINES SURVEYED
- LINES NOT SURVEYED
- STORM DRAINAGE EASEMENT
- PUBLIC DRAIN EASEMENT
- UTILITY EASEMENT

NOTES:

- 1) BEARINGS AND DISTANCES SHOWN IN PARENTHESES ARE BASED ON RECORDED MAP INFORMATION, MB 18-333
- 2) TOTAL AREA 15,305 SQ.FT.
- 3) COMBINED STORM DRAINAGE EASEMENT AREA 1,936 SQ.FT.
- 4) AREA REMAINING 15,305 SQ.FT.



DETAIL "A"



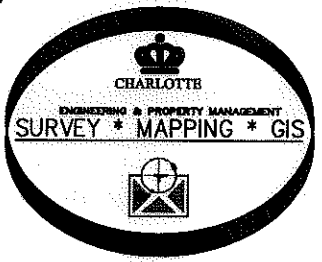
DETAIL "B"
NOT TO SCALE

State of North Carolina
County of Mecklenburg

I, _____, Review Officer of Mecklenburg County, certify that the map or plat to which this certification is affixed meets all statutory requirements for recording.

Review Officer _____ Date _____

PREPARED BY:
CITY OF CHARLOTTE
ENGINEERING & PROPERTY MANAGEMENT
600 EAST FOURTH STREET
CHARLOTTE, NC 28208
704-336-2291



CHARLOTTE ENGINEERING & PROPERTY MANAGEMENT DEPARTMENT		
REVISIONS SCALE 0 1"=50" 50' DRAWN BY JPG CHECKED BY GI	1020 WEBER CT. STORM WATER MAINTENANCE IMPROVEMENT PROJECT OWNERS: C. LEE DAVIS DOROTHY D. DAVIS CODE: 189-301-09 CHARLOTTE, MECKLENBURG CO., NC SURVEY SUPVR. DHS	JOB NO. 514-93-098 FILE NO. SHEET 1 OF 1
P:\Surproj\SWATER\MAINT\WEBER CT\PLATS\1016 WEBER CT PLAT.dwg		