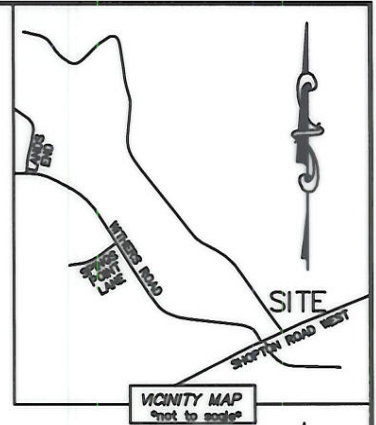
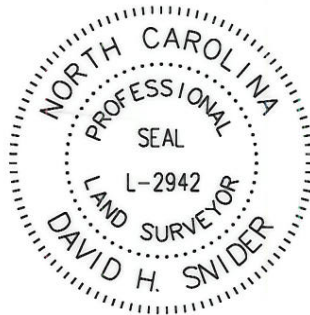


I, DAVID H. SNIDER, CERTIFY THAT THIS PLAT WAS PREPARED UNDER MY SUPERVISION AND THAT THE PLAT WAS PREPARED FOR THE PURPOSE OF ACQUISITION AND EASEMENTS ONLY, AND IS NOT INTENDED TO BE A BOUNDARY SURVEY OF PROPERTY SHOWN.

*David H. Snider 8/14/07*  
 DAVID H. SNIDER, NC P.L.S. L-2942 DATE

STATE OF NORTH CAROLINA  
 COUNTY OF MECKLENBURG

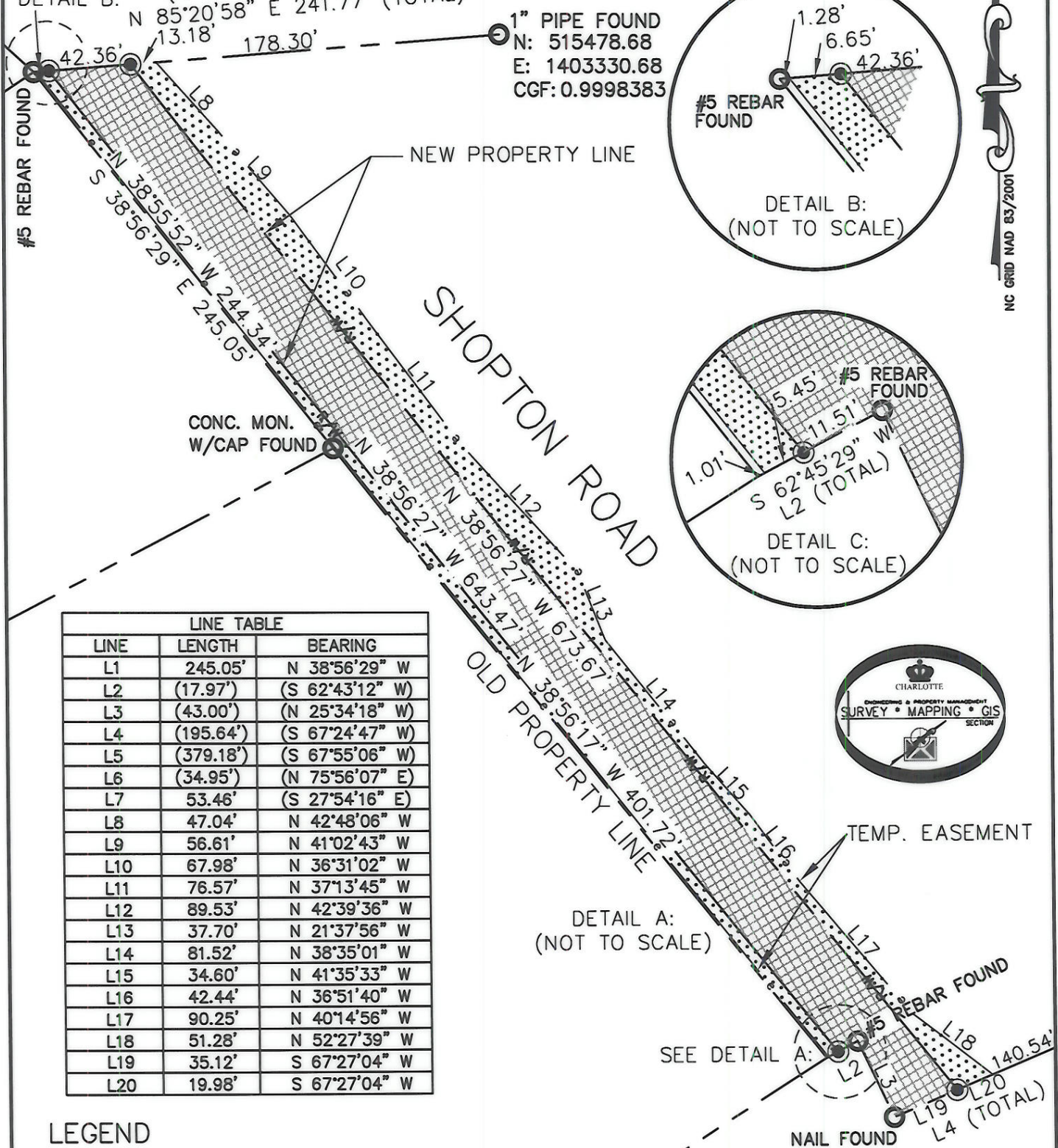
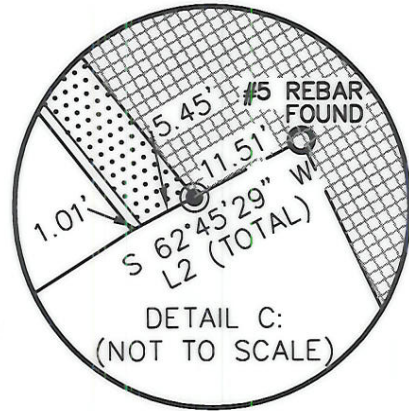
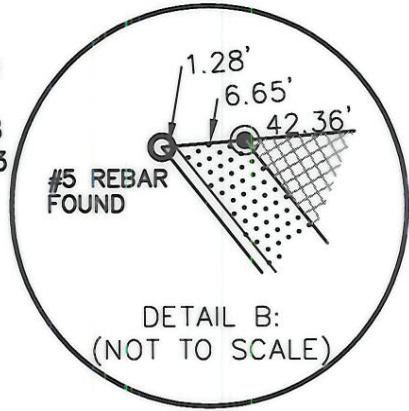
I, \_\_\_\_\_ REVIEW OFFICER OF MECKLENBURG COUNTY, CERTIFY THAT THE MAP OR PLAT TO WHICH THIS CERTIFICATION IS AFFIXED MEETS ALL STATUTORY REQUIREMENTS FOR RECORDING.



REVIEW OFFICER \_\_\_\_\_ DATE \_\_\_\_\_

SEE  
 DETAIL B: (N 84°51'06" E 241.89')  
 N 85°20'58" E 241.77' (TOTAL)

1" PIPE FOUND  
 N: 515478.68  
 E: 1403330.68  
 CGF: 0.9998383



LINE TABLE		
LINE	LENGTH	BEARING
L1	245.05'	N 38°56'29" W
L2	(17.97')	(S 62°43'12" W)
L3	(43.00')	(N 25°34'18" W)
L4	(195.64')	(S 67°24'47" W)
L5	(379.18')	(S 67°55'06" W)
L6	(34.95')	(N 75°56'07" E)
L7	53.46'	(S 27°54'16" E)
L8	47.04'	N 42°48'06" W
L9	56.61'	N 41°02'43" W
L10	67.98'	N 36°31'02" W
L11	76.57'	N 37°13'45" W
L12	89.53'	N 42°39'36" W
L13	37.70'	N 21°37'56" W
L14	81.52'	N 38°35'01" W
L15	34.60'	N 41°35'33" W
L16	42.44'	N 36°51'40" W
L17	90.25'	N 40°14'56" W
L18	51.28'	N 52°27'39" W
L19	35.12'	S 67°27'04" W
L20	19.98'	S 67°27'04" W

LEGEND

- REBAR OR IRON PIN FOUND
- #5 REBAR SET
- COMPUTED POINT
- PROPERTY LINES
- TEMP. CONSTRUCTION EASEMENT
- FEE SIMPLE
- TEMP. CONSTRUCTION EASEMENT
- FEE SIMPLE ACQUIRED

PREPARED BY:  
 CITY OF CHARLOTTE  
 ENGINEERING & PROPERTY MANAGEMENT  
 600 EAST FOURTH STREET  
 CHARLOTTE, NC 28202  
 704-336-2291

CHARLOTTE ENGINEERING DEPARTMENT		
REVISIONS	SHOPTON ROAD IMPROVEMENT PROJECT	JOB NO. 512-07-043
		FILE NO. 199-561-02
	PROPERTY ACQUISITION	SHEET 2
	OWNER: MORNINGSTAR UNITED METHODIST CHURCH	OF 2
DRAWN BY LG	CHARLOTTE, MECKLENBURG CO., NC	
DATE	CHECKED BY DHS SURVEY SUPVR. <i>DHS</i>	
K:\AUTOCAD\en_su-ld4\207043\DWG\PLAT 22.DWG		

ACQUIRED IN DEED BOOK 23039 PAGE 740 DATED 11-09-07