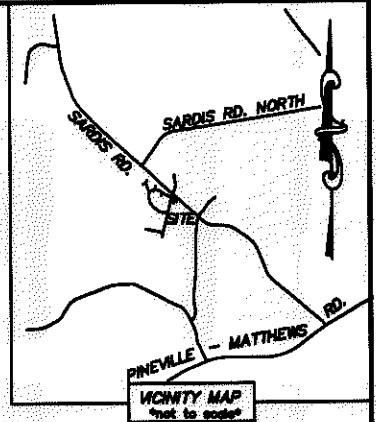
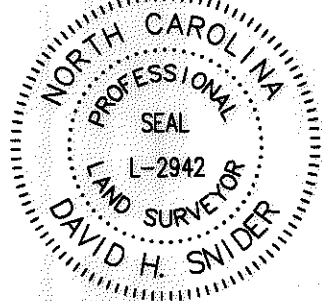


I, DAVID H. SNIDER, CERTIFY THAT THIS PLAT WAS PREPARED UNDER MY SUPERVISION AND THAT THE PLAT WAS PREPARED FOR THE PURPOSE OF ACQUISITION AND EASEMENTS ONLY, AND IS NOT INTENDED TO BE A BOUNDARY SURVEY OF PROPERTY SHOWN.

David H. Snider 3/20/12
 DAVID H. SNIDER, NC P.L.S. L-2942 DATE

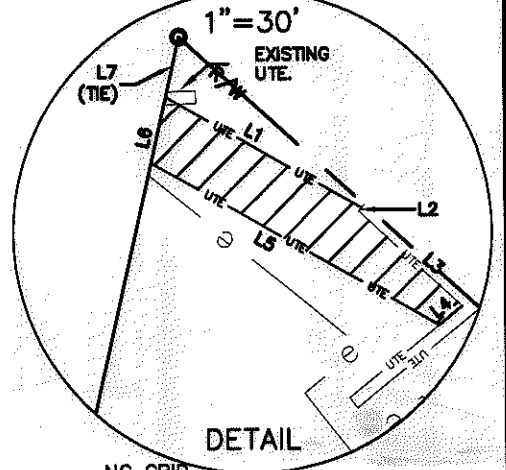
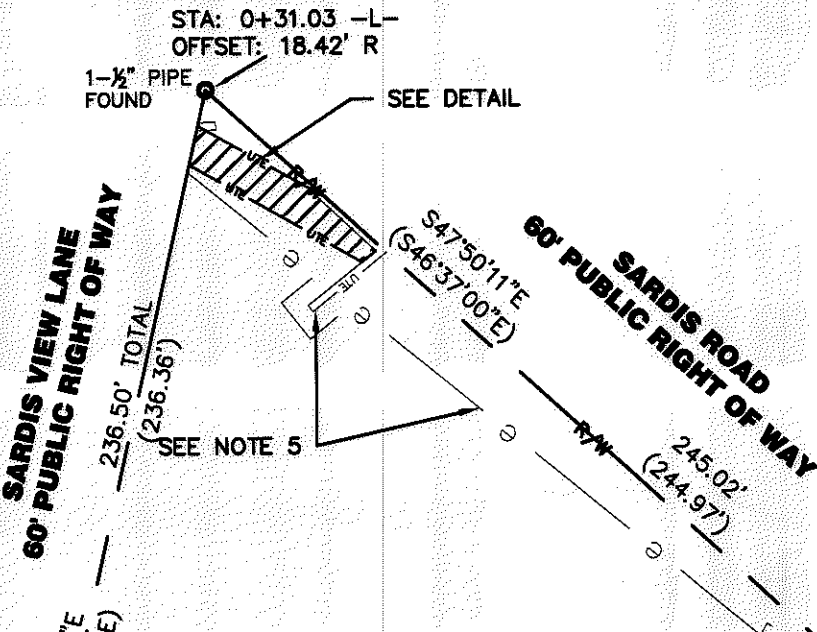


- NOTE:
- 1) BEARINGS AND DISTANCE SHOWN IN PARENTHESIS ARE BASED ON RECORDED INFORMATION.
 - 2) TOTAL AREA 38,787 SQ.FT.
 - 3) UTILITY EASEMENT 477 SQ.FT.
 - 4) TOTAL AREA REMAINING 38,787 SQ.FT.
 - 5.) DEED REFERENCE: DEED BOOK 2709 & PAGE 153

STATE OF NORTH CAROLINA
 COUNTY OF MECKLENBURG

I, _____ REVIEW OFFICER OF MECKLENBURG COUNTY, CERTIFY THAT THE MAP OR PLAT TO WHICH THIS CERTIFICATION IS AFFIXED MEETS ALL STATUTORY REQUIREMENTS FOR RECORDING.

REVIEW OFFICER _____ DATE _____



①
 21314301
 CHARLES E. CLARK AND WIFE
 CORRINE M. CLARK
 DB 14214 PG 904-906
 101 SARDIS VIEW LANE

NC GRID
 N 506737.45
 E 1474528.10
 2" PIPE FOUND

N67°06'15"W
 GRID 6830.77'
 GROUND 6831.62'
 CITY MONUMENT
 (M 094)
 N 504079.62
 E 1480821.29
 CGF 0.99987512

②
 21314318 & 19
 THE FLETCHER SCHOOL, INC., A
 NON-PROFIT NORTH CAROLINA
 CORPORATION
 DB 11669/PAGE 710-723
 8500 SARDIS ROAD

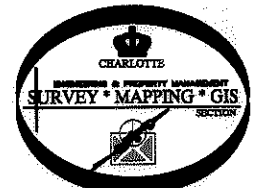
2134302
 RICHARD GELLEAR AND WIFE
 SANDRA EDWARDS
 DB 05442/PAGE 292
 111 SARDIS VIEW LANE

LINE TABLE		
LINE	LENGTH	BEARING
L1	35.14	S60° 27' 13"E
L2	0.72	N42° 09' 49"E
L3	22.00	S47° 18' 38"E
L4	4.62	N51° 21' 01"E
L5	51.70	S60° 27' 13"E
L6	10.44	N12° 52' 53"E
L7 (TIE)	9.60	N12° 52' 53"E

LEGEND

- REBAR OR IRON PIN FOUND
- NGS MONUMENT
- PROPERTY LINES
- EXISTING RIGHT-OF-WAY
- EXISTING TEMPORARY CONSTRUCTION EASEMENT
- EXISTING UTILITY EASEMENT
- UTILITY EASEMENT

PREPARED BY:
 CITY OF CHARLOTTE
 ENGINEERING & PROPERTY MANAGEMENT
 600 EAST FOURTH STREET
 CHARLOTTE, NC 28202
 704-336-2291



CHARLOTTE ENGINEERING & PROPERTY MANAGEMENT		
REVISIONS	SARDIS ROAD SIDEWALK IMPROVEMENT	JOB NO. 51207082
		FILE NO.
SCALE 1"=50'	PROPERTY ACQUISITION OWNERS: CHARLES E. CLARK AND WIFE CORRINE M. CLARK CHARLOTTE, MECKLENBURG CO., NC	SHEET 1
DRAWN BY CM		OF 1
DATE:	CHECKED BY DHS SURVEY SUPR. <i>DK</i>	
p:\ccodpro\surpro\sidewalk\207082 sardis road\plots\207082 sardis road parcel 1r 3d2010		

ACQUISITION BY DB 27352 PG 354