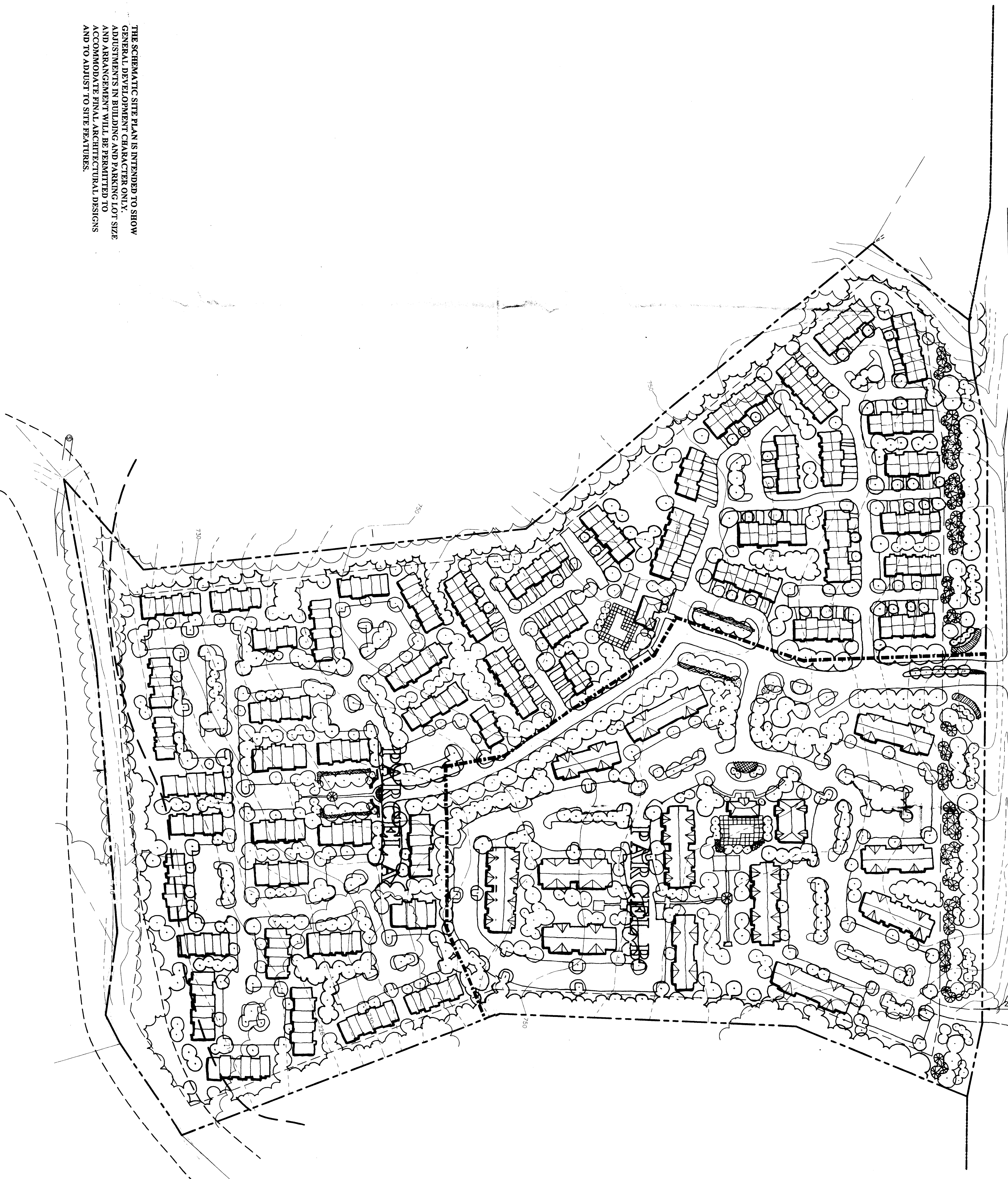


DAVIS LAKE PARKWAY

W. T. HARRIS BLVD.

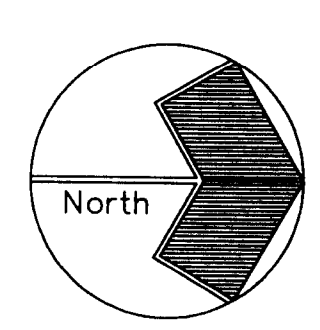
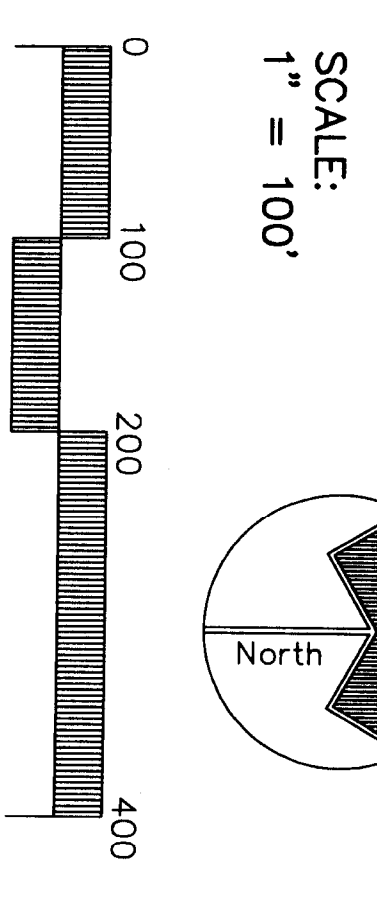


THE SCHEMATIC SITE PLAN IS INTENDED TO SHOW GENERAL DEVELOPMENT CHARACTER ONLY. IT DOES NOT SHOW EXACT BUILDING FOOTPRINTS, AND IS SUBJECT TO CHANGE AND ADJUSTMENT TO ACCOMMODATE FINAL ARCHITECTURAL DESIGNS AND TO ADJUST TO SITE FEATURES.

SCHEMATIC SITE PLAN

PETITION NO. 96-106
AS FOR PUBLIC HEARING

W.T. HARRIS BLVD. SITE
FOR PORTRAIT HOMES
CHARLOTTE, NORTH CAROLINA



DEBON PLANNING-RESEARCH

PP2 ASSOCIATES, INC.
Landscape Architects
2008 East Swann Street
Charlotte, NC 28204
704.252.7228 fax • 1.800.237.2178
DATE: 5/15/08
DRAWN BY: PAMEL BOUNDARY

SHEET NO.
RZ-2
OF 2